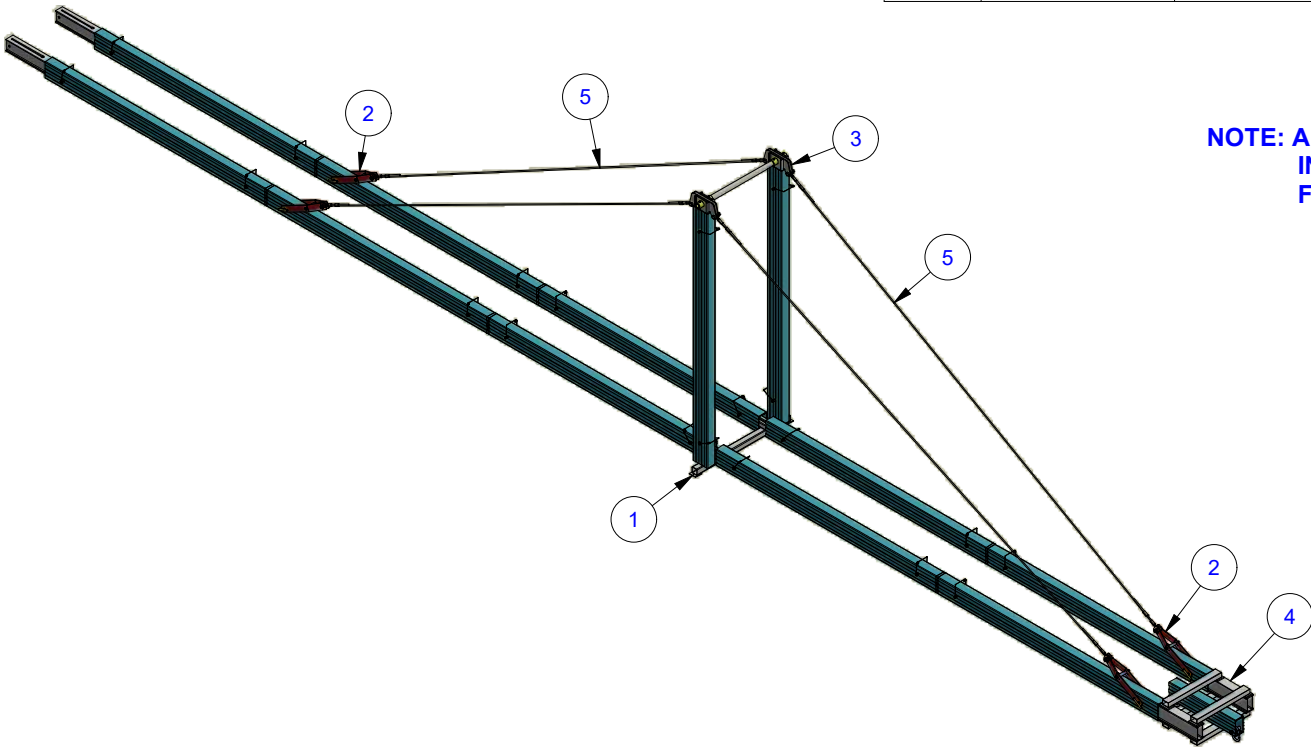
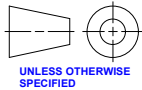


Parts List				
ITEM	PART NUMBER	DESCRIPTION	MATERIAL	QTY
1	WSOR575	CABLE TRUSS BOTTOM SUPPORT		1
2	WSOR576	CABLE TRUSS STRAP ASSY.		4
3	WSOR577	TOP SUPPORT - CABLE TRUSS		1
4	WSOR578	FRONT BEAM SECTION ASSY-1500 SERIES		1
5	WSOR581	20 FT. CABLE TRUSS FRONT ROPES		4



NOTE: ALL COMPONENTS WHICH ARE NOT INCLUDED IN THE BOM ARE SHOWN FOR REFERENCE ONLY.

EQUIPMENT FIT AND LOAD TEST INFORMATION			
FIT TEST REQ'D?	LOAD TEST REQ'D?	FIT TEST DWG. #	LOAD TEST DWG. #



UNLESS OTHERWISE SPECIFIED

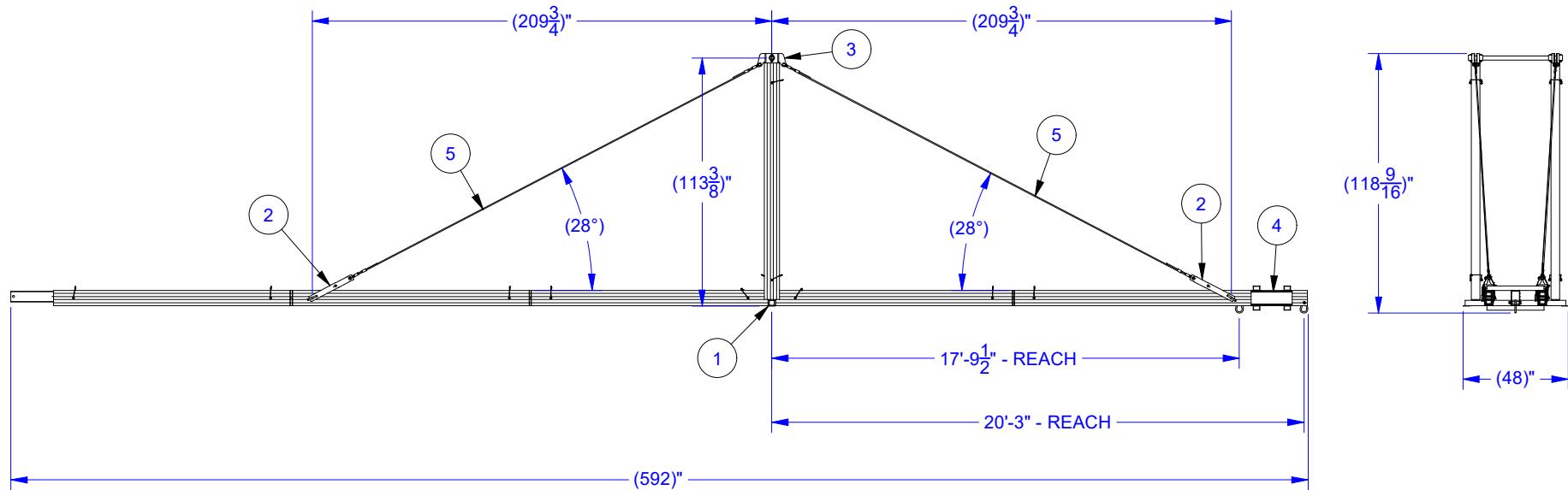
TITLE:
CABLE TRUSS SYSTEM
1500 SERIES 18FT/20FT

DO NOT SCALE	DRAWN: JW	DATE: 2021-07-27	SCALE:
<small>MANUFACTURING TOLERANCES UNLESS OTHERWISE SPECIFIED</small>	<small>This drawing is the property of Winsafe Corp. It is loaned with the express agreement that the drawing and the information contained therein are property of Winsafe Corp., and will not be used in whole or in part to assist in making or to furnish any information for the making of apparatus or parts thereof except upon written permission of Winsafe Corp.</small>	CHECK: ST	APP: ST
<small>Dimensions are in inches Tolerances to be ± 0.031 Angles ± 1°</small>	DRAWING NO.: WSOR574	Ba	
	SHEET 1 OF 2		

REVISION HISTORY				
REV	DESCRIPTION	DATE	REVISED BY	APPROVED
Aa	Released for Production	July 26, 2021	JW	ST
Ba	BOM CHANGES	AUG. 25/21	JW	ST

NOTES:

1. FINISH:
2. WEIGHT (LBS):N/A
3. 1/8" CONTINUOUS FILLET WELD REQ'D.
UNLESS OTHERWISE NOTED.
4. DEBURR AND REMOVE SHARP EDGES.



		TITLE: CABLE TRUSS SYSTEM 1500 SERIES 18FT/20FT					
				DO NOT SCALE	DRAWN: JW	DATE: 2021-07-27	SCALE:
<small>MANUFACTURING TOLERANCES UNLESS OTHERWISE SPECIFIED</small>		<small>This drawing is the property of Winsafe Corp. It is loaned with the express agreement that the drawing and the information contained therein are property of Winsafe Corp., and will not be used in whole or in part to assist in making or to furnish any information for the making of apparatus or parts thereof except upon written permission of Winsafe Corp.</small>		CHECK: ST	APP: ST	DRAWING NO.: WSOR574	Ba
<small>Dimensions are in inches Tolerances for Dimensions to be ± 0.031 Angles ± 1°</small>				SHEET 2 OF 2			