

technical sheet

workcage & workcage stirrups for skysafe® platform sections

ref.: T-4757
 rev. no.: 0
 date: 08/01
 page: 5/8

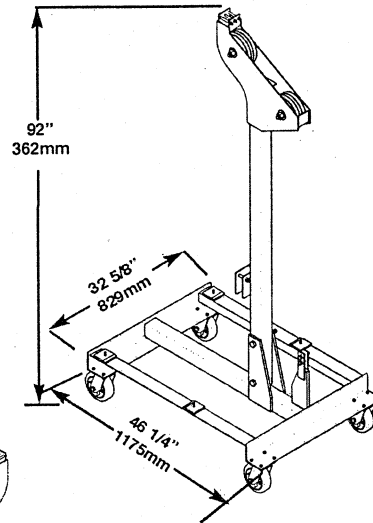
Workcage and Workcage Stirrups

The Workcage Stirrup has been designed for use with the 3'-3" (1m) or the 6'-6" (2m) Modular Suspended Platform (with the End Frames attached) as a workcage. The Workcage Stirrup uses only a single hoist, giving you the flexibility of a platform that is, stable and easy to operate.

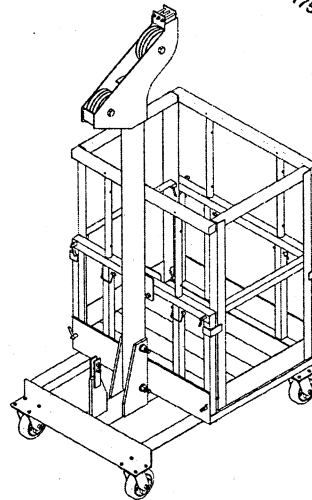
The workcage allows access for many applications including building inspection, maintenance and window cleaning, providing extra flexibility that a Bosun Chair just can't offer.

Additional features of the Workcage:

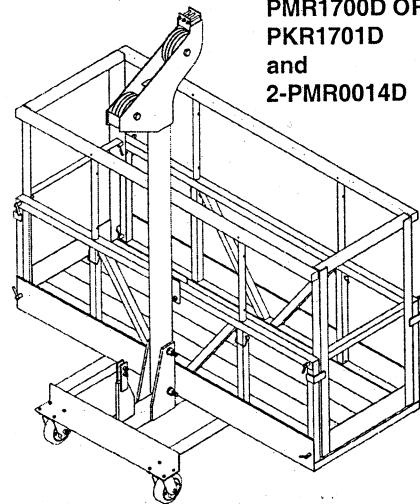
- Available in 3'-3" (1m) and 6'-6" (2m) sizes
- Rated load of 500lbs.
- Adjustable height guardrails (front & rear) reach either 36" or 42" to meet all safety code regulations.
- Mast is removable for transportation and difficult access areas
- Secondary wire rope sheaves are standard
- Heavy-duty casters 6" dia.
- Stirrups fit Tirak®, and most other hoists available today
- Available from Los Angeles, Boston, Toronto and Montreal



PMR0720D



PMR0720D & PMR1600D OR PKR1601D and 2-PMR0014D



PMR0720D, PMR1700D OR PKR1701D and 2-PMR0014D

	Platform weight with Workcage Stirrup PMR0720D including hoist			
Nominal Platform Length ft. - in (m)	Rigid Modular Sections Lbs. (kg)*	Knockdown Modular Sections Lbs. (kg)*	Rated Load of Platform Lbs. (kg)	
3'-3" (1m)	384 (175)	385 (175)	500 (225)	
6'-6" (2m)	423 (192)	426 (194)	500 (225)	

*Hoist weight assumed to be 125 lb. (57 kg) ea. one hoist per platform

For self-weight of the workcage deduct 125 lbs. (57kg).

NOTE: The rated load should be equally distributed across the platform.

Model Number	Description	Lbs.	Kg.
PMR0720D	Workcage Stirrup	188	85
PMR1600D	3'-3" Modular Suspended Platform	53	24
PMR1601D	3'-3" Knockdown Platform	54	25
PMR1700D	6'-6" Modular Suspended Platform	92	12
PMR1701D	6'-6" Knockdown Platform	95	43
PMR0014D	End Frame (2 required)	9	4