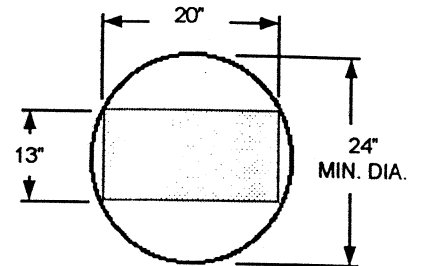


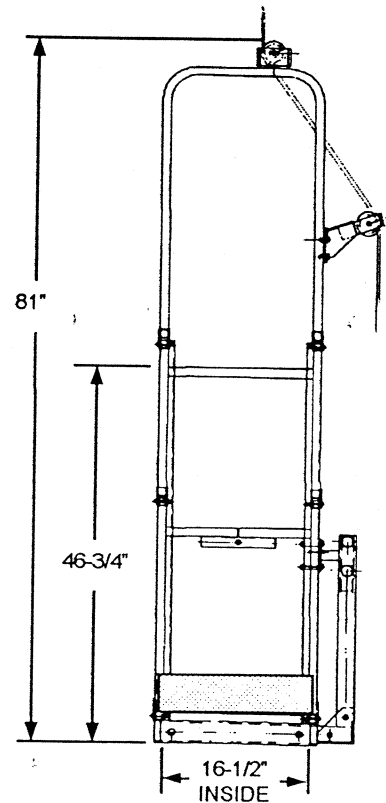
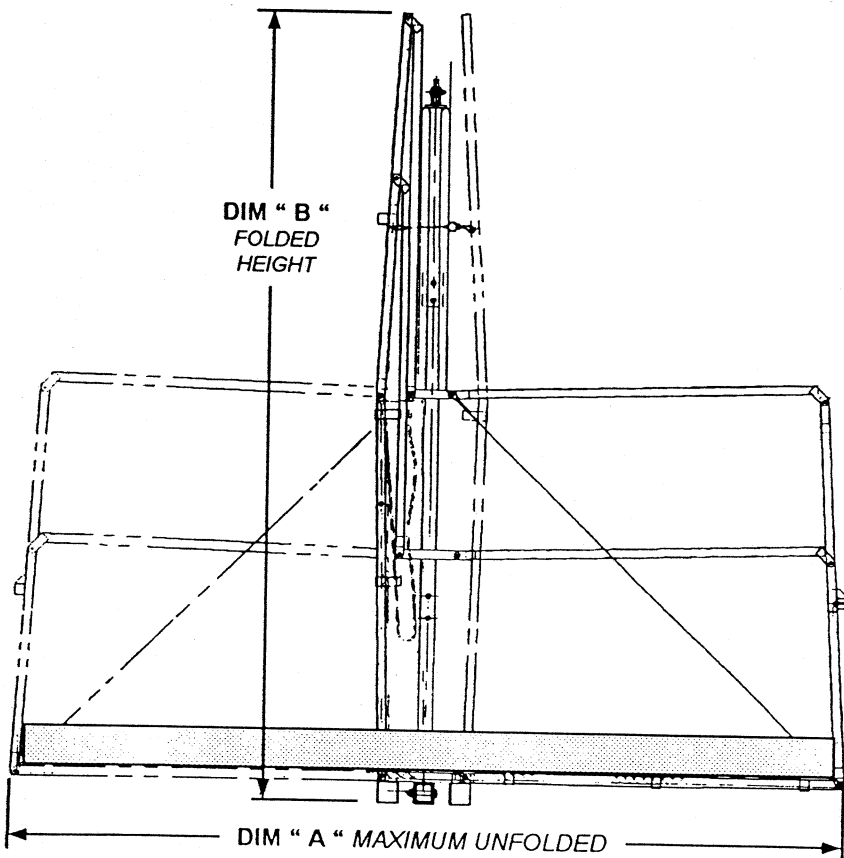
FOLD-UP WORKBASKET

DIM. "A"	DIM. "B"	WT.
8 ft	88"	165#
8 ft.	88"	195#
8 ft.	88"	213#
6 ft	81"	145#
6 ft.	81"	175#
6 ft.	81"	187#
4 ft	81"	155#
4 ft.	81"	157#
UNIVERSAL ADAPTER		4#



**MINIMUM SIZE OPENING FOR
WORKBASKET TO PASS THRU
24" DIAMETER OR 13" X 20"
RECTANGULAR AREA**

CUSTOM MOUNTING ADAPTERS ARE AVAILABLE FOR OTHER HOIST MFG.



USE OF THIS EQUIPMENT IS UNSAFE AND UNLAWFUL WITHOUT:

Proper fall protection equipment being provided by you and used in accordance with the Requirements of OSHA.