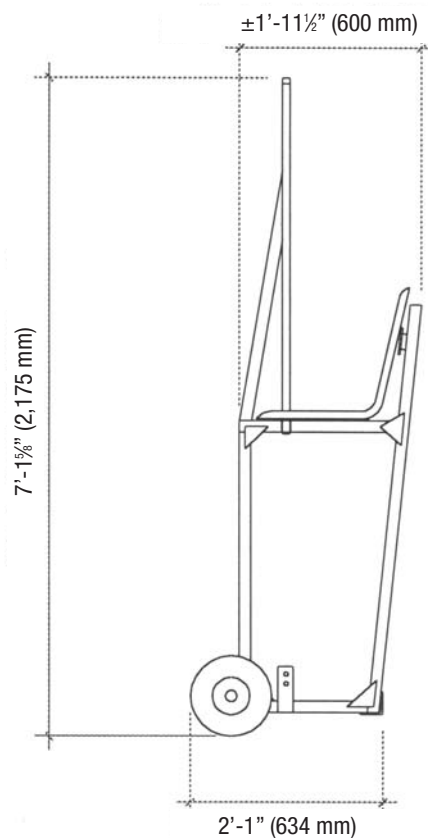
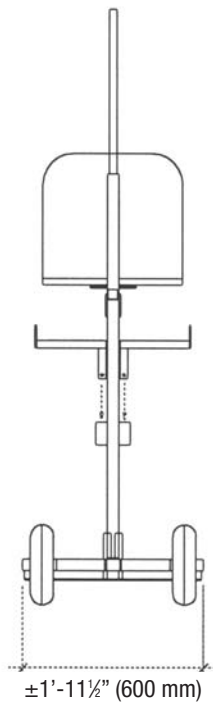


Features

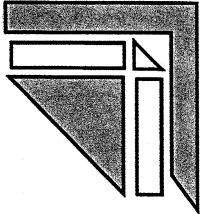
- Steel – A500 C grade
- Paint – Anti-rust
- Capacity – 310 lbs. (140 kg)
- Wheels – Semi-pneumatic ¾ in. (19 mm)

Fall arrest equipment must be used to meet local regulations.

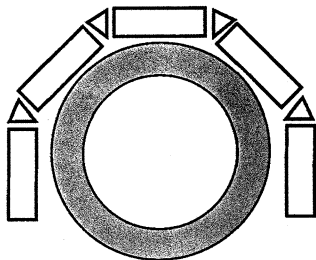


Accessories

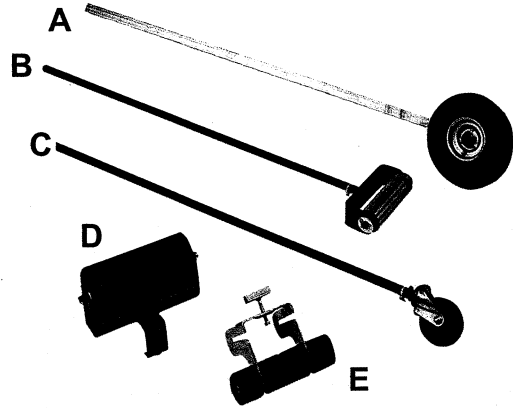
90 Degree



30, 45 & 60 degree



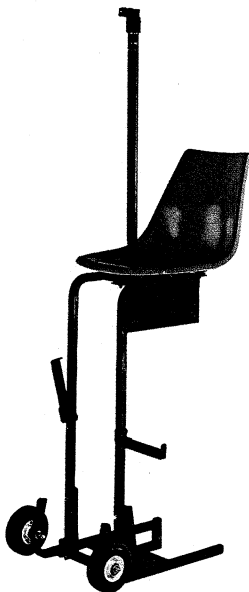
Roller Bumpers



Consult Griphoist before use. Engineering evaluation required.

Bosun Chairs

Fiberglass Bosun Chair



Fiberglass Bosun Chair Features & Specifications

- * Size: 18" x 24" x 72"
- * Fits most hoists
- * Rated Capacity: 250lbs.
- * Single Wire Rope
- * 2 x 6" diam. hard tires (removable)
- * weight: 60 lbs.

The Solsit® Motorized Bosun's Chair, designed for comfort and stability, provides a fast and reliable work platform for window cleaning, maintenance, inspection and other duties on highrise buildings. The Solsit is powered by a Tirak X300 Series hoist. (see page 2). A second wire rope can be used and mounted to a second BLOC-STOP overspeed device.

Features & Specifications

- * Size : 40" x 22" x 80"
- * Capacity: 250 lbs.
- * Weight: 136 lbs. with hoist
- * Fits X300 Series Tirak
- * 2" x 10" diameter telescopic pneumatic tires
- * Optional upper limit switch
- * Two equipment/water buckets
- * Built-in waist belt
- * Fast set-up

Solsit Motorized Bosun's Chair

