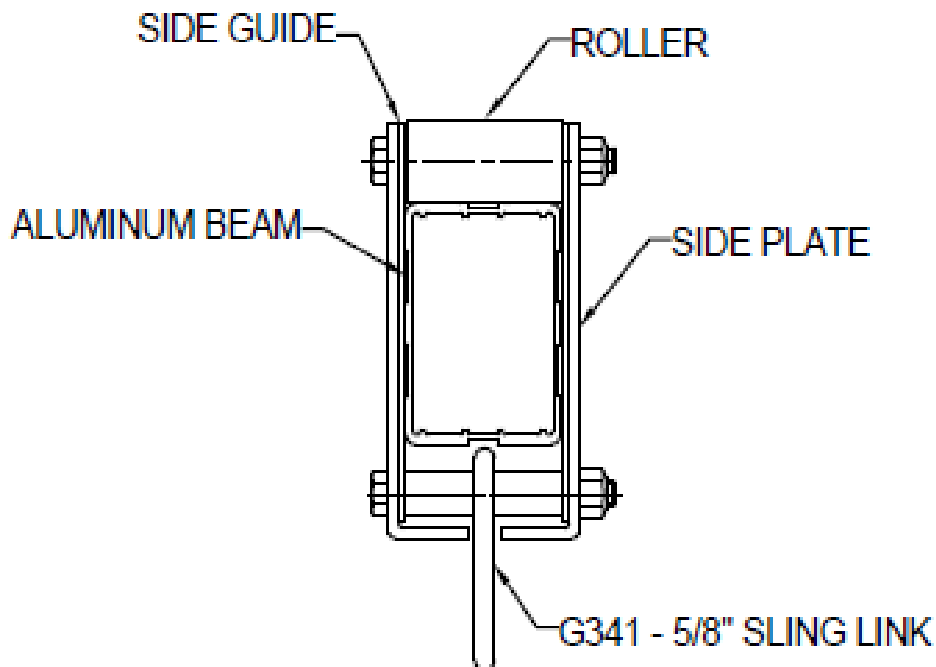


4 — ROLLING TROLLEY

The Rolling Trolley Beam is used to provide safe, adjustable suspensions points in order to be able to provide suspensions points at varying lengths past the parapet and to access places such as sloped surfaces of buildings and other structures. Winsafe's Rolling Trolley (WS OR 100) can be used in these three configurations.

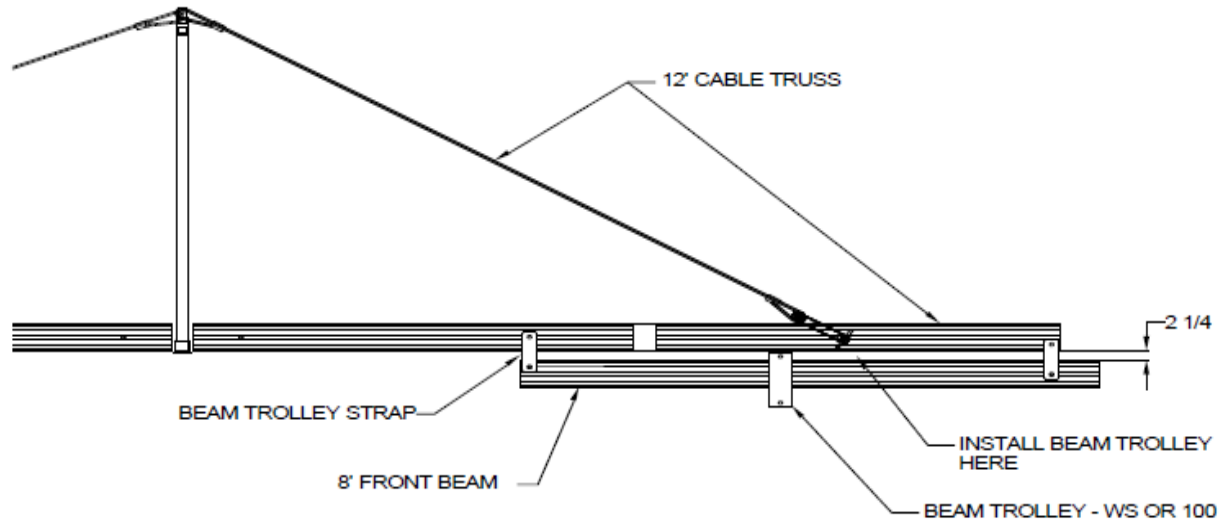
1. On a Straight Beam—4' max. reach; no extra components required.
2. On a 8' Cable Truss—8' max. reach; requires an 8' Front Beam and two sets of Beam Trolley Strap (WS OR 123).
3. On a 12' or 14' Cable Truss—10' max reach; requires a 10' Front Beam, one set of Beam Trolley Straps and one Special Custom End



**Aluminum Beam Trolley
(WS OR 100)**

8' Cable Truss with Beam Trolley

ENTIRE CABLE TRUSS NOT SHOWN



12' or 14' Cable Truss with Beam Trolley

ENTIRE CABLE TRUSS NOT SHOWN

