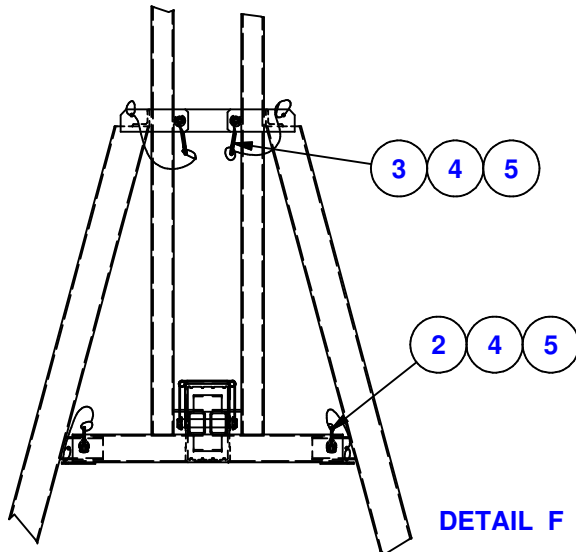
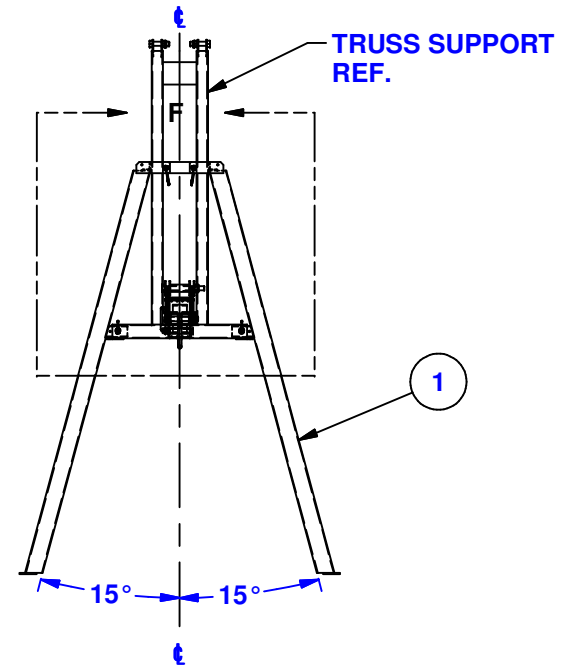
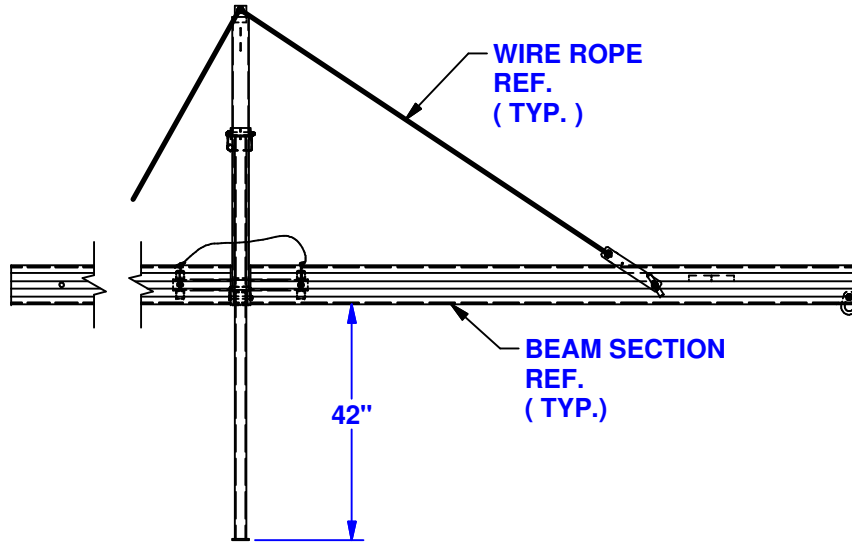


NOTES:

1. FINISH:
2. WEIGHT (LBS):N/A
3. 1/8" CONTINUOUS FILLET WELD REQ'D. UNLESS OTHERWISE NOTED.
4. DEBURR AND REMOVE SHARP EDGES.

Parts List

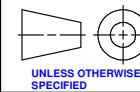
ITEM	PART NUMBER	DESCRIPTION	MATERIAL	LENGTH	QTY
1	WSOR355	CABLE TRUSS STAND LEG-1500SERIES			2
2	HP1-SL-120-312	1/2 SNAP LOCK PIN X 3 1/2" LG			2
3	HP1-SL-120-400	LOCK PIN 1/2 DIA X 4" LG			2
4	WC1-WR-332-G	3/32 WIRE ROPE			4
5	WC1-SS-332-A	3/32 NICO FITTINGS			8



DETAIL F

**WINSAFE CORP.**

**TITLE:**  
1500 SERIES CABLE TRUSS STAND-42"



UNLESS OTHERWISE SPECIFIED

<b>DO NOT SCALE</b>	<b>DRAWN:</b> HD	<b>DATE:</b> 22-Jul-14	<b>SCALE:</b> 1:16
<b>MANUFACTURING TOLERANCES UNLESS OTHERWISE SPECIFIED</b>	This drawing is the property of Winsafe Corp. It is loaned with the express agreement that the drawing and the information contained therein are property of Winsafe Corp., and will not be used in whole or in part to assist in making or to furnish any information for the making of apparatus or parts thereof except upon written permission of Winsafe Corp.		
ANGULAR ± 0.5	<b>CHECK:</b> HV	<b>APP:</b> HV	<b>DRAWING NO.:</b>
FRACTIONAL ± 1/32"	<b>WSOR355</b>		
2 PLC. DEC. ± 0.01"			
3 PLC. DEC. ± 0.001"			
4 PLC. DEC. ± 0.0005"			