

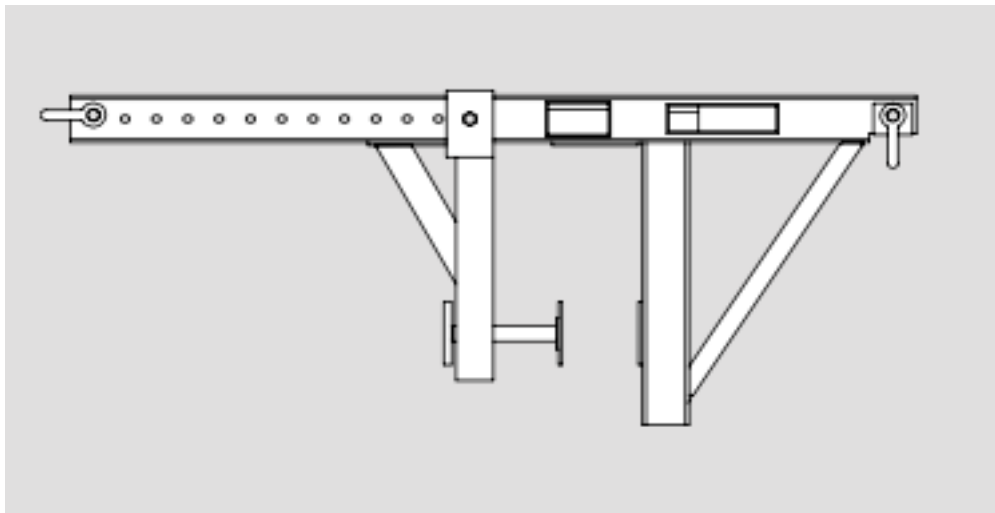
**Swing Staging**

By **SAFWAY** Group



By **SAFWAY** Group

## PRODUCT SPEC SHEET



**CODE : QPAR45**  
**PARAPET CLAMP BLK 43"**

CAPACITY : 1,000 LBS.

WEIGHT : 107 LBS.

FEATURE : OPENS TO 43"