

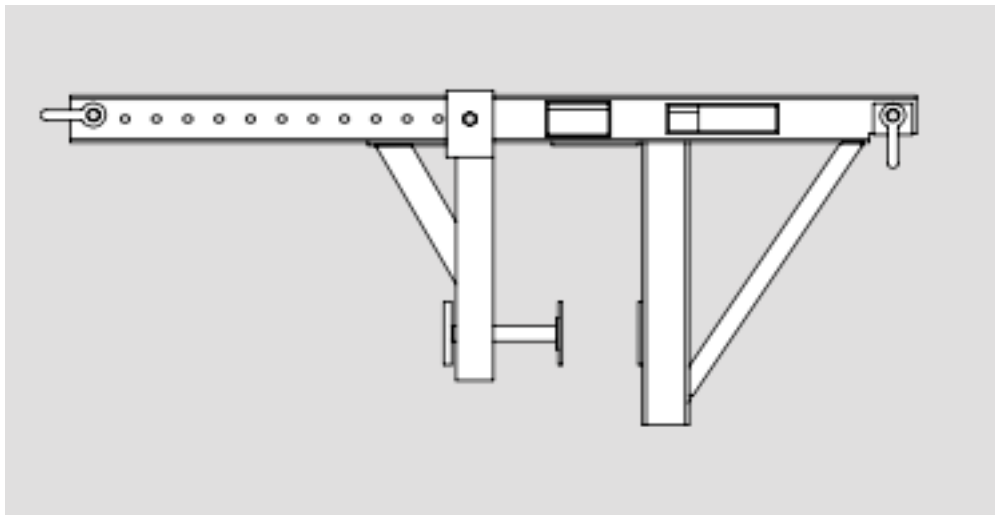
Swing Staging

By **SAFWAY** Group



By **SAFWAY** Group

PRODUCT SPEC SHEET



**CODE : QPAR25GAL
PARAPET CLAMP BLK 25"**

CAPACITY : 1,500 LBS.

WEIGHT : 70 LBS.

FEATURE : OPENS TO 25"