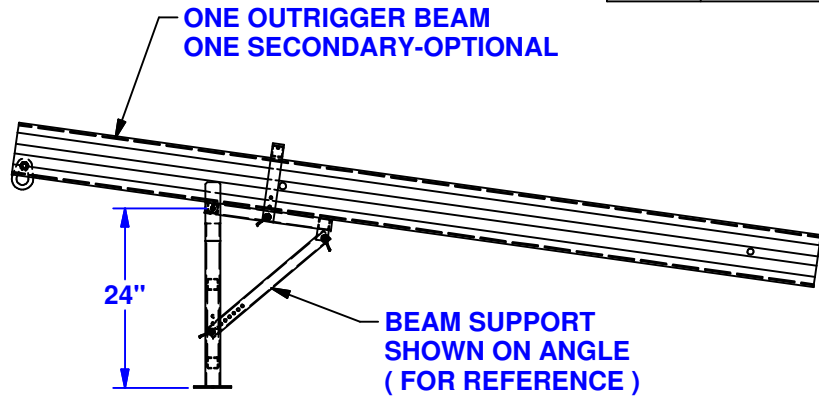


NOTES:

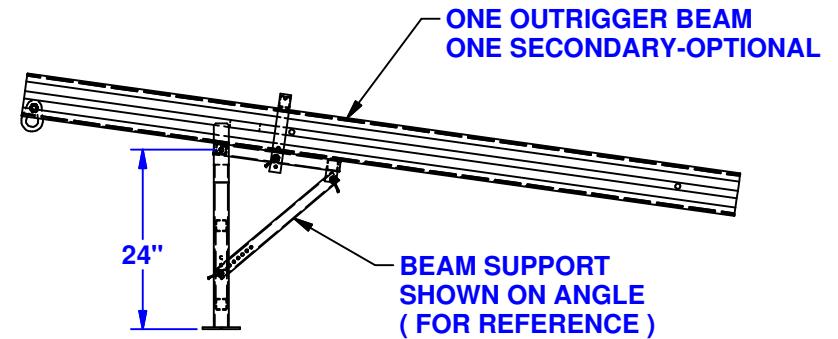
1. FINISH:
2. WEIGHT (LBS):N/A
3. 1/8" CONTINUOUS FILLET WELD REQ'D. UNLESS OTHERWISE NOTED.
4. DEBURR AND REMOVE SHARP EDGES.

Parts List

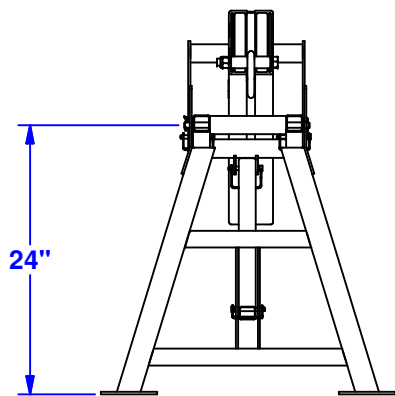
ITEM	PART NUMBER	DESCRIPTION	MATERIAL	LENGTH	QTY
1	WSBS045	A FRAME-24"			1
2	WSBS003	BEAM SUPPORT			1
3	WSBS004	SADDLE			1
4	WSBS-027	BRACE			1
5	WSBS005	PIN			1
6	120-000-302-Z	FLAT WASHER 1/2 PLTD			2
7	CP2-180-100-Z	COTTER PIN 1/8 X 1			2
8	HP1-LPS-516-212	5/16" LOCK PIN X 2 1/2" LG			4



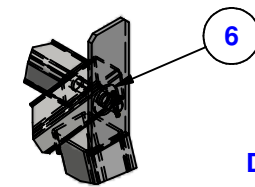
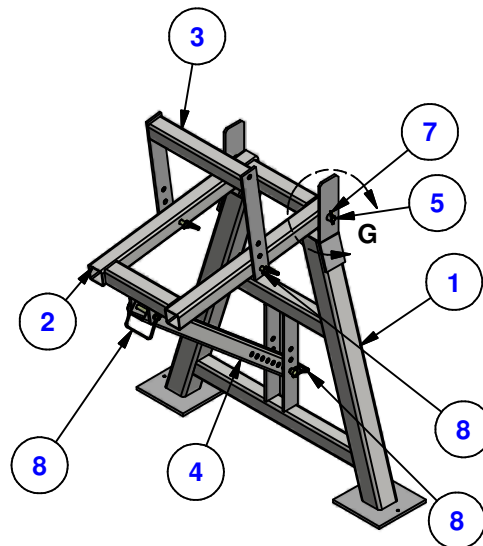
VIEW SHOWING SADDLE MOUNT FOR 1500SERIES FRONT BEAM



VIEW SHOWING SADDLE MOUNT FOR STANDARD FRONT BEAM



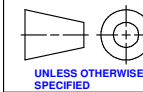
FOR REFERENCE ONLY



DETAIL G

WINSAFE CORP.

TITLE:
FRONT BEAM STAND-24"



UNLESS OTHERWISE SPECIFIED

DO NOT SCALE

MANUFACTURING TOLERANCES UNLESS OTHERWISE SPECIFIED
 ANGULAR ± 0.5°
 FRACTIONAL ± 1/32"
 2 PLC. DEC. ± 0.01"
 3 PLC. DEC. ± 0.001"
 4 PLC. DEC. ± 0.0005"

DRAWN: HD

DATE: 25-Sep-12

SCALE: 1:16

This drawing is the property of Winsafe Corp. It is loaned with the express agreement that the drawing and the information contained therein are property of Winsafe Corp., and will not be used in whole or in part to assist in making or to furnish any information for the making of apparatus or parts thereof except upon written permission of Winsafe Corp.

CHECK: HV APP: HV

DRAWING NO.:

WSBS044