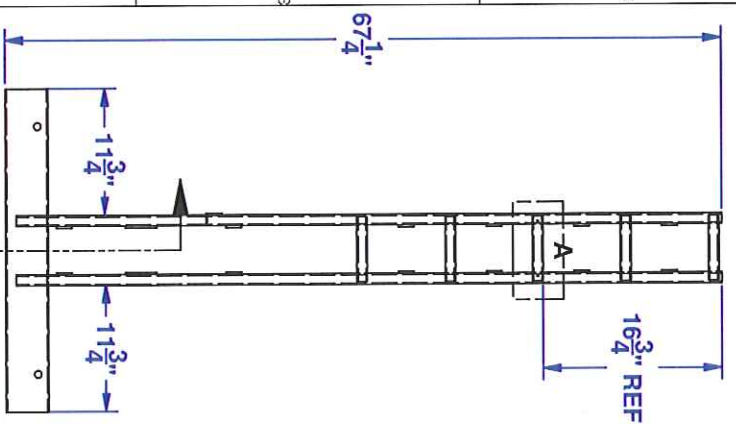
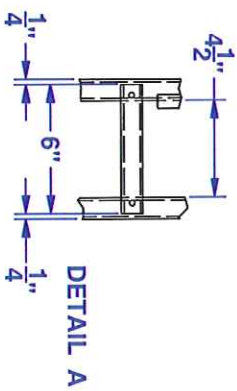
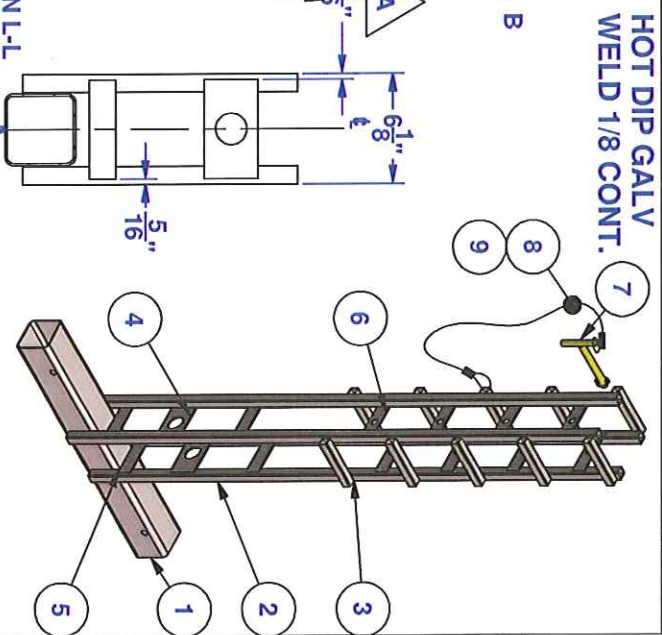
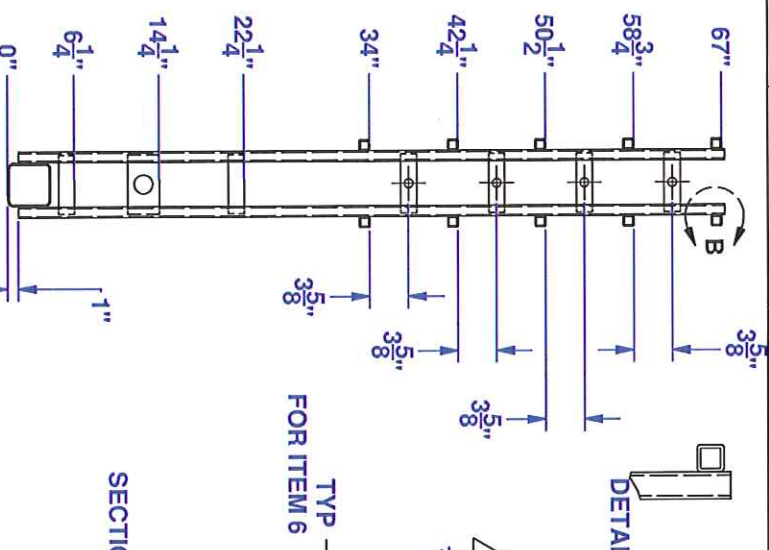


- NOTES:
1. FINISH: HSS
 2. WEIGHT (LBS): N/A
 3. 1/8" CONTINUOUS FILLET WELD REQD. UNLESS OTHERWISE NOTED.
 4. DEBURR AND REMOVE SHARP EDGES.



ITEM	PART NUMBER	DESCRIPTION	LENGTH	QTY
1	HSS12544	1/8" X 4" X 4" HSS	30" LG	1
2	HSS12511	1/8" X 1" X 1" HSS	66 1/4" LG	4
3	HSS12511	1/8" X 1" X 1" HSS	6" LG	10
4	SF3163	3/16" X 3" FLAT	5 1/2" LG	2
5	SF316112	3/16" X 1 1/2" FLAT	5 1/2" LG	4
6	SF316112	3/16" X 1 1/2" FLAT	5 1/2" LG	8
7	WSOR328	3/4" RETAINING PIN		1
8	WC1-WR-332-G	3/32 WIRE ROPE X 18" LG		1
9	WC1-SS-332-A	3/32 NICO FITTING		1



REV	DESCRIPTION	DATE	APPROVED
A	DIMENSION CORRECTED	29-Jul-14	
C	ITEM 7 PART NUM CHANGED, ITEM 6 HOLE DIA CHNGD	06-Aug-14	
C	ITEM 7 CHNGD	07-OCT-04	

WINSAFE CORP.

TITLE: COUNTERWEIGHT COLUMN-1500
 SERIES:

MANUFACTURING TOLERANCES UNLESS OTHERWISE SPECIFIED:

DO NOT SCALE

DRAWN: HD DATE: 16-Jul-14 SCALE: 1:16

CHECK: HV APP: HV

DRAWING NO.: WSOR359

1. FINISH: HSS
 2. WEIGHT (LBS): N/A
 3. 1/8" CONTINUOUS FILLET WELD REQD. UNLESS OTHERWISE NOTED.
 4. DEBURR AND REMOVE SHARP EDGES.

REVISION HISTORY

SECTION L-L

DETAIL A

DETAIL B

HOT DIP GALV WELD 1/8 CONT.

FOR ITEM 6 TYP

SECTION L-L

WINSAFE CORP.

TITLE: COUNTERWEIGHT COLUMN-1500
 SERIES:

MANUFACTURING TOLERANCES UNLESS OTHERWISE SPECIFIED:

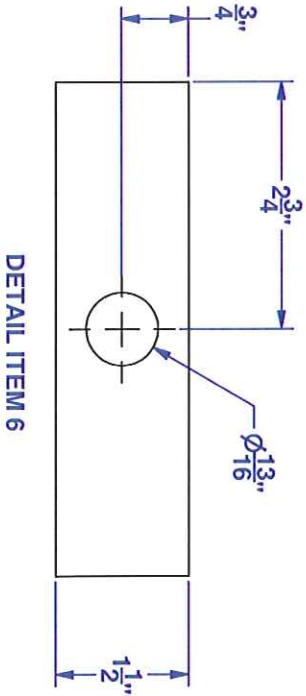
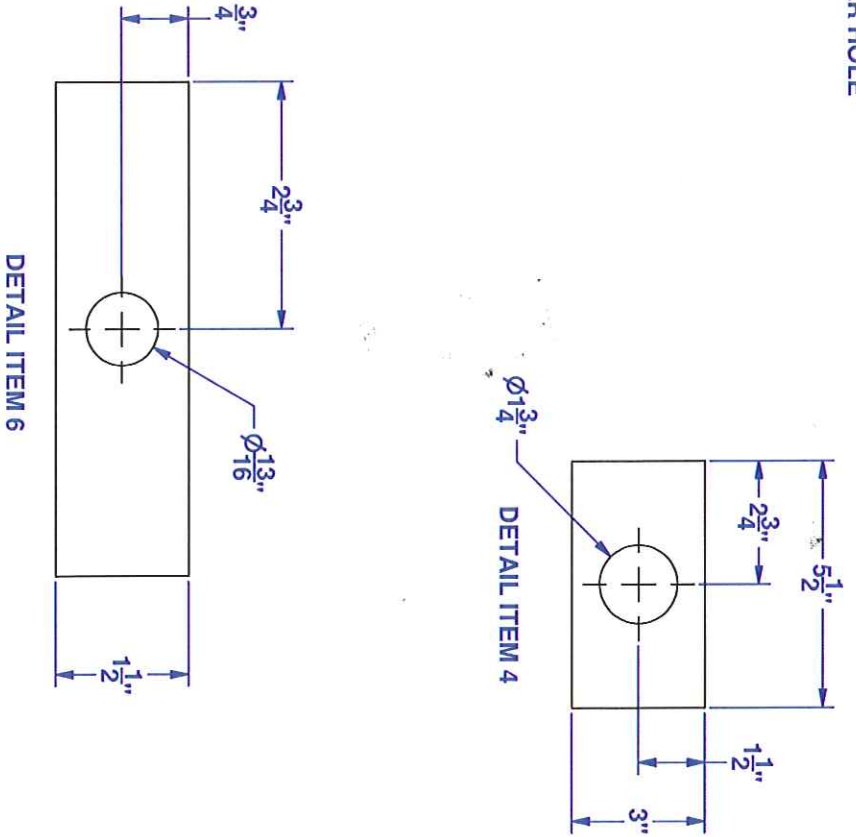
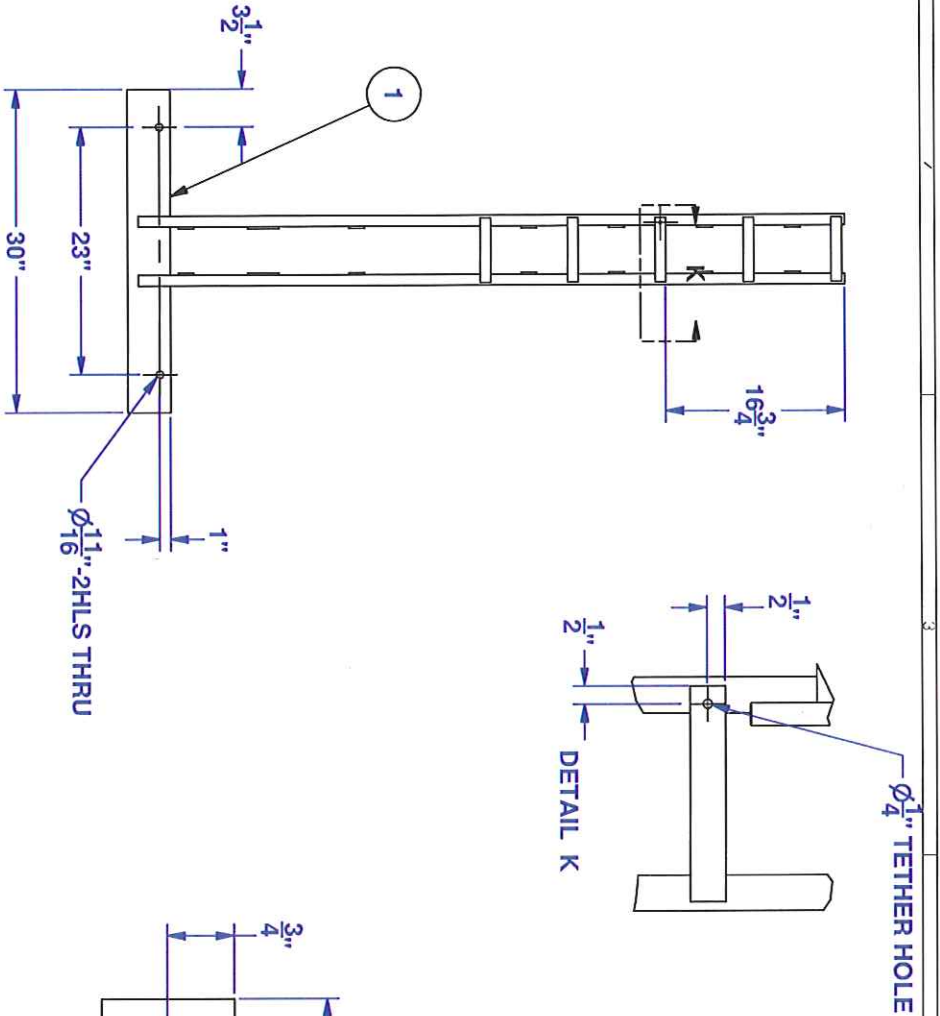
DO NOT SCALE

DRAWN: HD DATE: 16-Jul-14 SCALE: 1:16

CHECK: HV APP: HV

DRAWING NO.: WSOR359

SHEET 1 OF 2



WINSARFE CORP.			
TITLE: COUNTERWEIGHT COLUMN-1500			
SERIES			
DO NOT SCALE	DRAWN: HD	DATE: 16-Jul-14	SCALE: 1:16

MANUFACTURING TO DIMENSIONS UNLESS OTHERWISE SPECIFIED. FINISHES: 1. 303 SS 2. 304 SS 3. 316 SS 4. 304 SS 5. 316 SS 6. 304 SS 7. 316 SS 8. 304 SS 9. 316 SS 10. 304 SS 11. 316 SS 12. 304 SS 13. 316 SS 14. 304 SS 15. 316 SS 16. 304 SS 17. 316 SS 18. 304 SS 19. 316 SS 20. 304 SS 21. 316 SS 22. 304 SS 23. 316 SS 24. 304 SS 25. 316 SS 26. 304 SS 27. 316 SS 28. 304 SS 29. 316 SS 30. 304 SS 31. 316 SS 32. 304 SS 33. 316 SS 34. 304 SS 35. 316 SS 36. 304 SS 37. 316 SS 38. 304 SS 39. 316 SS 40. 304 SS 41. 316 SS 42. 304 SS 43. 316 SS 44. 304 SS 45. 316 SS 46. 304 SS 47. 316 SS 48. 304 SS 49. 316 SS 50. 304 SS	THIS DRAWING IS THE PROPERTY OF WINSARFE CORP. IT IS NOT TO BE REPRODUCED, COPIED, OR TRANSMITTED IN ANY FORM OR BY ANY MEANS, ELECTRONIC OR MECHANICAL, INCLUDING PHOTOCOPYING, RECORDING, OR BY ANY INFORMATION STORAGE AND RETRIEVAL SYSTEM, WITHOUT THE WRITTEN PERMISSION OF WINSARFE CORP.	CHECK: HV / APP: HV DRAWING NO.: WSOR359	C
--	--	---	---