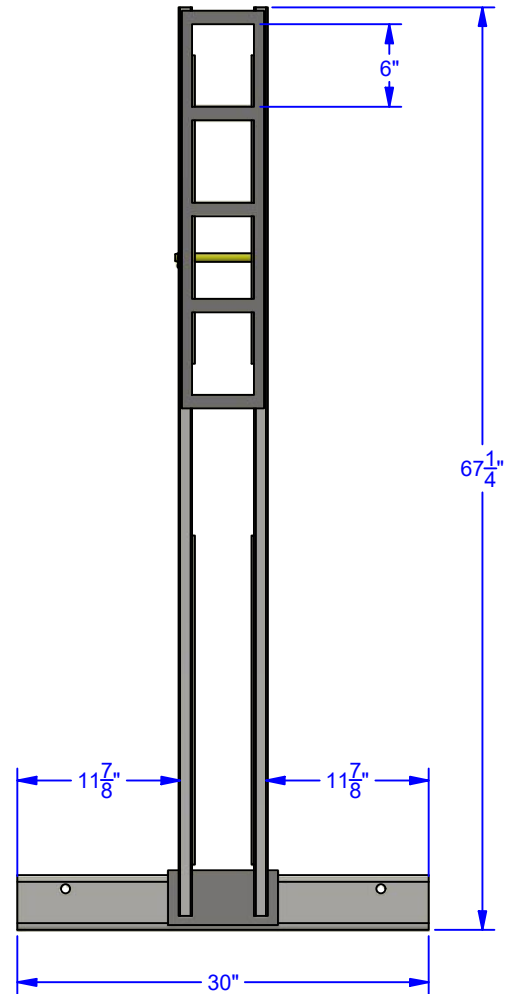
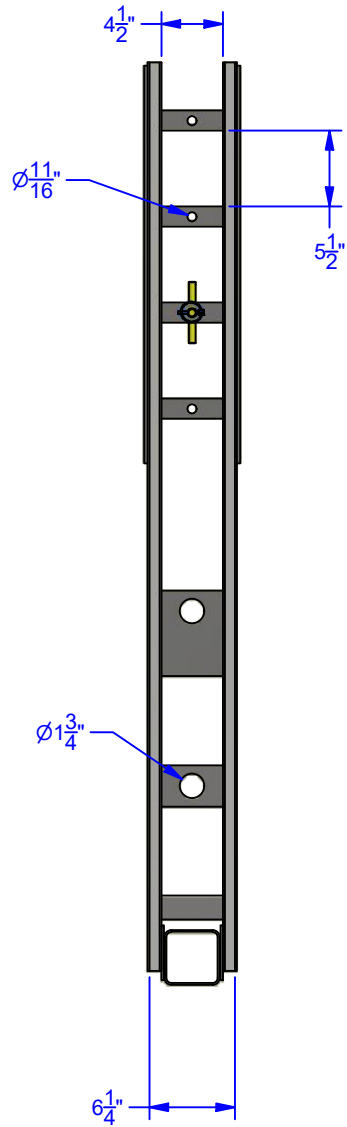



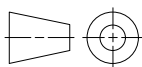
NOTES:

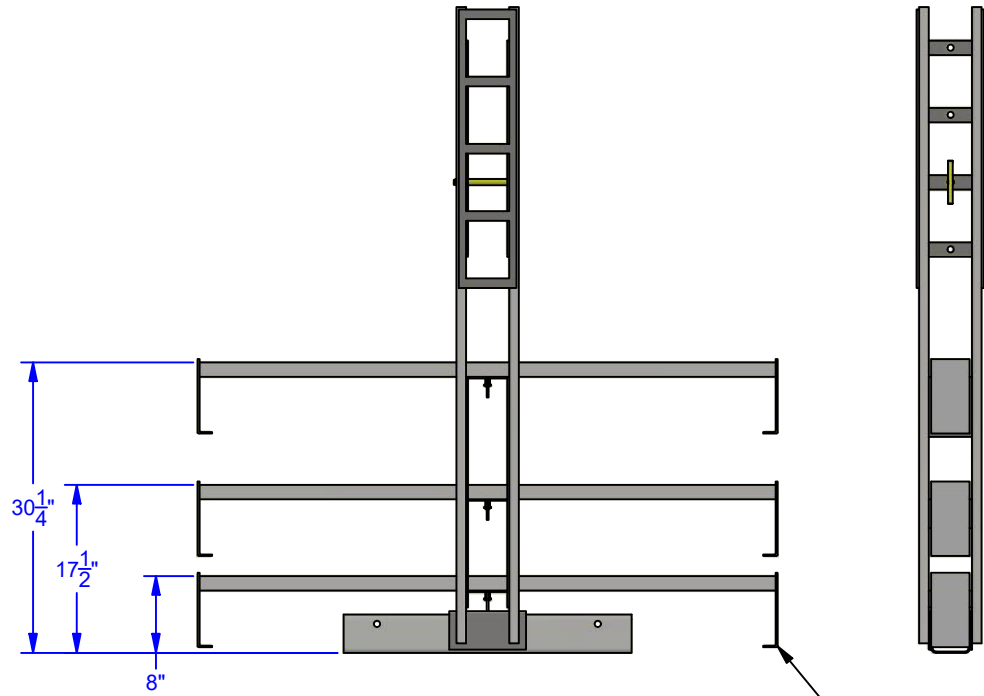
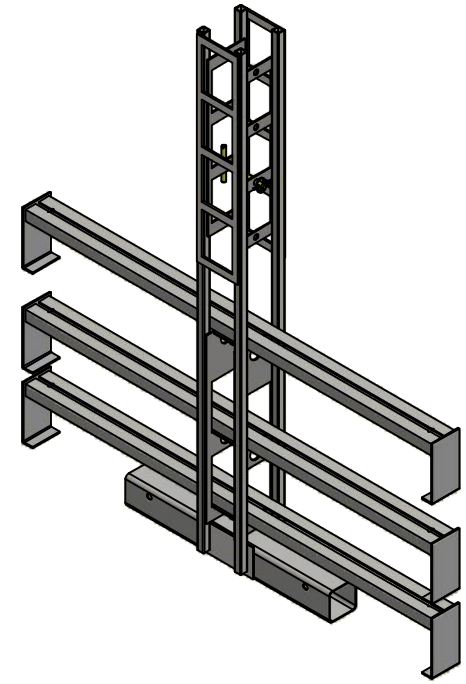
1. FINISH: HOT DIP GALV.
2. WEIGHT (LBS):74.545 lbmass
3. CARBON STEEL CONSTRUCTION




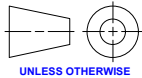
<p>REV. AND BOM SEE SHEET 2</p>	<p style="text-align: center;">WINSAFE <small>A DIVISION OF AGF ACCESS GROUP INC.</small></p>		
<p> UNLESS OTHERWISE SPECIFIED</p>	<p>TITLE: 5 FT COUNTERWEIGHT COLUMN FOR 1000 SERIES OUTRIGGER BEAM</p>		
<p>DO NOT SCALE</p>	<p>DRAWN: MI</p>	<p>DATE: 9/25/2019</p>	<p>SCALE:</p>
<p><small>MANUFACTURING TOLERANCES UNLESS OTHERWISE SPECIFIED</small></p> <p><small>Dimensions are in inches Tolerances for Dimensions to be ± 0.031 Angles ±1°</small></p>	<p><small>This drawing is the property of Winsafe. It is loaned with the express agreement that the drawing and the information contained therein are property of Winsafe, and will not be used in whole or in part to assist in making or to furnish any information for the making of apparatus or parts thereof except upon written permission of Winsafe.</small></p>		<p>CHECK: ST APP: ST</p> <p>DRAWING NO.: WSOR516-S</p> <p>SHEET 1 OF 4</p> <p style="text-align: right;">Aa</p>

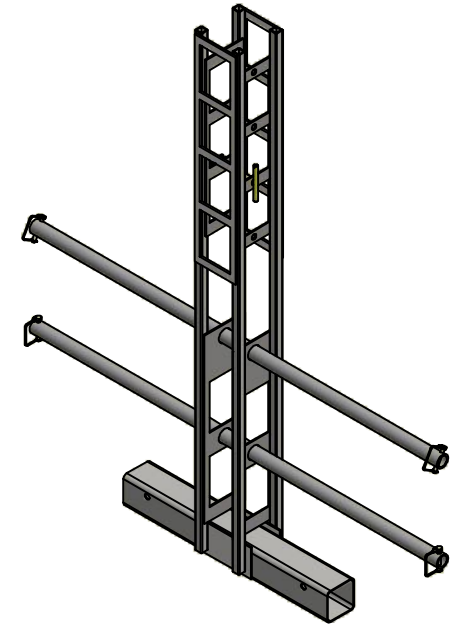
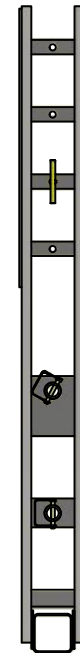
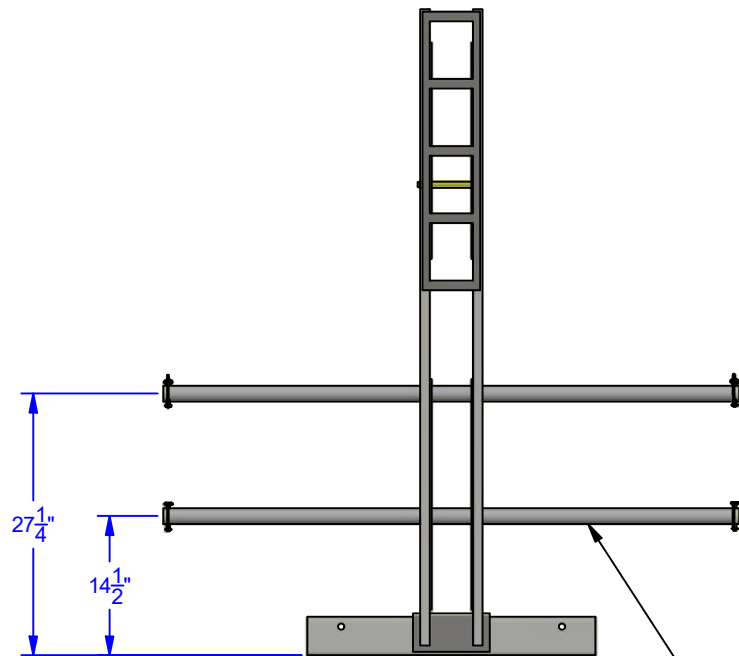


REV. AND BOM SEE SHEET 2	 A DIVISION OF AGF ACCESS GROUP INC.		
 UNLESS OTHERWISE SPECIFIED	TITLE: 5 FT COUNTERWEIGHT COLUMN FOR 1000 SERIES OUTRIGGER BEAM		
DO NOT SCALE	DRAWN: MI	DATE: 9/25/2019	SCALE:
<small>MANUFACTURING TOLERANCES UNLESS OTHERWISE SPECIFIED</small> <small>Dimensions are in inches Tolerances for Dimensions to be ± 0.031 Angles $\pm 1^\circ$</small>	<small>This drawing is the property of Winsafe. It is loaned with the express agreement that the drawing and the information contained therein are property of Winsafe, and will not be used in whole or in part to assist in making or to furnish any information for the making of apparatus or parts thereof except upon written permission of Winsafe.</small>		CHECK: ST APP: ST DRAWING NO.: WSOR516-S SHEET 2 OF 4
			Aa


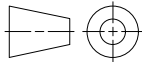


COUNTERWEIGHT HOLDERS
(REF.)
(WSOR42)
(NOT INCLUDED)

REV. AND BOM SEE SHEET 2	 A DIVISION OF AGF ACCESS GROUP INC.		
 UNLESS OTHERWISE SPECIFIED	TITLE: 5 FT COUNTERWEIGHT COLUMN FOR 1000 SERIES OUTRIGGER BEAM		
DO NOT SCALE	DRAWN: MI	DATE: 9/25/2019	SCALE:
<small>MANUFACTURING TOLERANCES UNLESS OTHERWISE SPECIFIED</small> <small>Dimensions are in inches Tolerances for Dimensions to be ± 0.031 Angles ± 1°</small>	<small>This drawing is the property of Winsafe. It is loaned with the express agreement that the drawing and the information contained therein are property of Winsafe, and will not be used in whole or in part to assist in making or to furnish any information for the making of apparatus or parts thereof except upon written permission of Winsafe.</small>		CHECK: ST APP: ST DRAWING NO.: WSOR516-S SHEET 3 OF 4
			Aa



COUNTERWEIGHT HOLDERS
(REF.)
(WSOR502)
(NOT INCLUDED)

REV. AND BOM SEE SHEET 2	 A DIVISION OF AGF ACCESS GROUP INC.		
 UNLESS OTHERWISE SPECIFIED	TITLE: 5 FT COUNTERWEIGHT COLUMN FOR 1000 SERIES OUTRIGGER BEAM		
DO NOT SCALE	DRAWN: MI	DATE: 9/25/2019	SCALE:
<small>MANUFACTURING TOLERANCES UNLESS OTHERWISE SPECIFIED</small> <small>Dimensions are in inches Tolerances for Dimensions to be ± 0.031 Angles ± 1°</small>	<small>This drawing is the property of Winsafe. It is loaned with the express agreement that the drawing and the information contained therein are property of Winsafe, and will not be used in whole or in part to assist in making or to furnish any information for the making of apparatus or parts thereof except upon written permission of Winsafe.</small>		CHECK: ST APP: ST DRAWING NO.: WSOR516-S SHEET 4 OF 4
			Aa