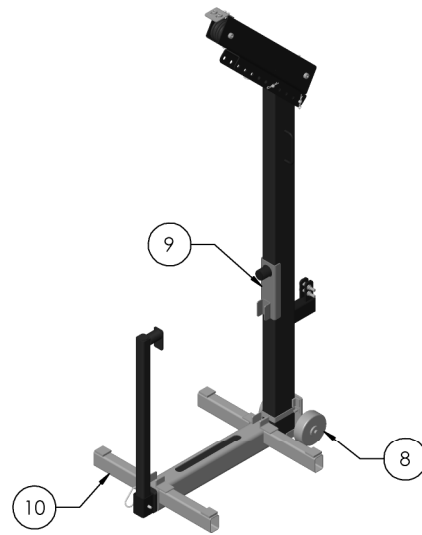


NOTES:

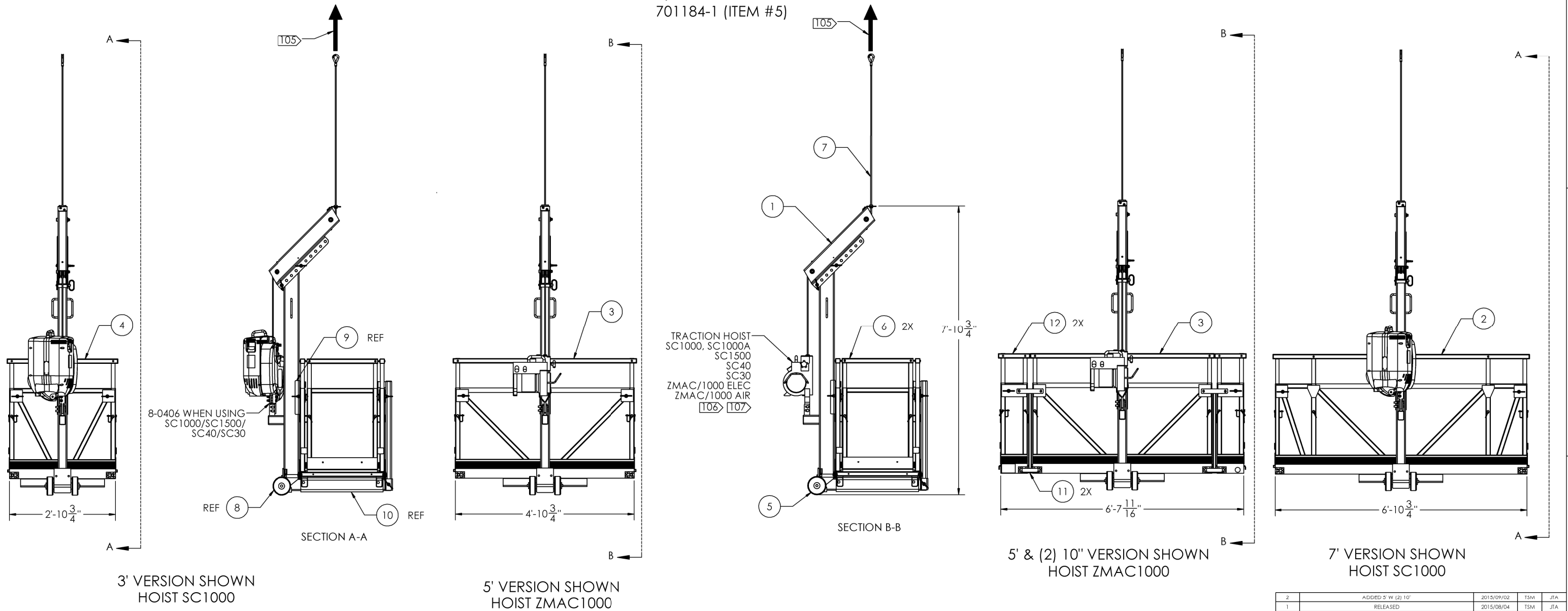
- 101. USE OF SUSPENDED SCAFFOLDING SHALL COMPLY WITH OSHA 29 CFR 1926.451(F) AND ANY APPLICABLE LOCAL REGULATIONS.
  - 102. ALL PERSONNEL ON SUSPENDED SCAFFOLDING SHALL HAVE AN INDEPENDENT FALL ARREST SYSTEM THAT COMPLIES WITH OSHA 29 CFR 1926.451(G) AND ANY APPLICABLE LOCAL REGULATIONS.
  - 103. LOAD ON SUSPENDED SCAFFOLDING PLATFORM SHALL BE UNIFORMLY DISTRIBUTED. PLATFORM SHALL REMAIN LEVEL. HOISTS SHALL BE OPERATED SIMULTANEOUSLY.
  - 104. SUSPENDED SCAFFOLD RIGGING AND TIEBACKS SHALL COMPLY WITH OSHA 29 CFR 1926.451(A) AND 1926.451(D) AND ANY APPLICABLE LOCAL REGULATIONS.
- 105 SUPPORTING STRUCTURE SHALL HOLD 4 TIMES HOIST RATED CAPACITY.
- 106 REFER TO SPECIFIC HOIST MANUAL FOR INSTRUCTIONS ON INSTALLATION AND OPERATION.
- 107 HOIST RATED CAPACITY MUST MEET OR EXCEED THE COMBINED PLATFORM WEIGHT AND LIVE LOAD.

PARTS LIST											
3' QTY.	5' QTY.	7' QTY.	SLK QTY.	5' W (2) 10" QTY.	U/M	ITEM	PART NUMBER	Weight	DESCRIPTION		
1	1	1	-	1	EA	1	008810-2	140	WALKTHROUGH STIRRUP;KIT;		
-	-	1	-	-	EA	2	707711-1	106	MOD PLAT ASSY;7FT WOOD DECK		
-	1	-	-	1	EA	3	4968	78	MOD PLAT ASSY;5FT		
1	-	-	-	-	EA	4	700755-1	55	MOD PLAT ASSY;3 FT WOOD DK		
1	1	1	-	1	EA	5	701184-1	54	SINGLE-LINE WALK THRU KIT		
2	2	2	-	2	EA	6	008811-2	12	ENDGATE ASSEMBLY;MOD PLATFORM		
1	1	1	-	1	EA	7	700939-XXX	--	WIRE ROPE ASSEMBLY		
-	-	-	1	-	EA	8	700777-1		WHEEL ASSY;WALK THRU STIRRUP		
-	-	-	1	-	EA	9	701185-1		SUPPORT;TOP;SINGLE-LINE WT		
-	-	-	1	-	EA	10	701186-1		SUPPORT;BOT;SINGLE-LINE WT		
-	-	-	-	2	PAIR	11	4970	14	MOD PFORM;CONNECTOR ASSY		
-	-	-	-	2	EA	12	706131-2	20	MOD PLATFORM ASSY;10 INCH		



MAXIMUM RATED PLATFORM CAPACITY  
 500 LB OR 2 PERSONS WITH 1000 LB HOIST  
 750 LB OR 3 PERSONS WITH 1500 LB HOIST  
**DO NOT EXCEED !!!**

PARTS REQUIRED FOR SINGLE LINE KIT  
 701184-1 (ITEM #5)



2	ADDED 5' W (2) 10"	2015/07/02	TSM	JFA
1	RELEASED	2015/08/04	TSM	JFA
REV.	ECO	DATE	BY	CHK
THIRD ANGLE PROJECTION		DATE: 2015/08/04	TITLE: SINGLE LINE KIT 3', 5' & 7'	
DWG. NO. GA-1054		REV. 2		
SCALE: 1:16		SHEET: 1 OF 1		

