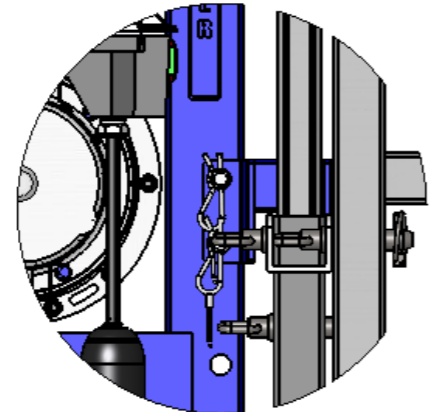
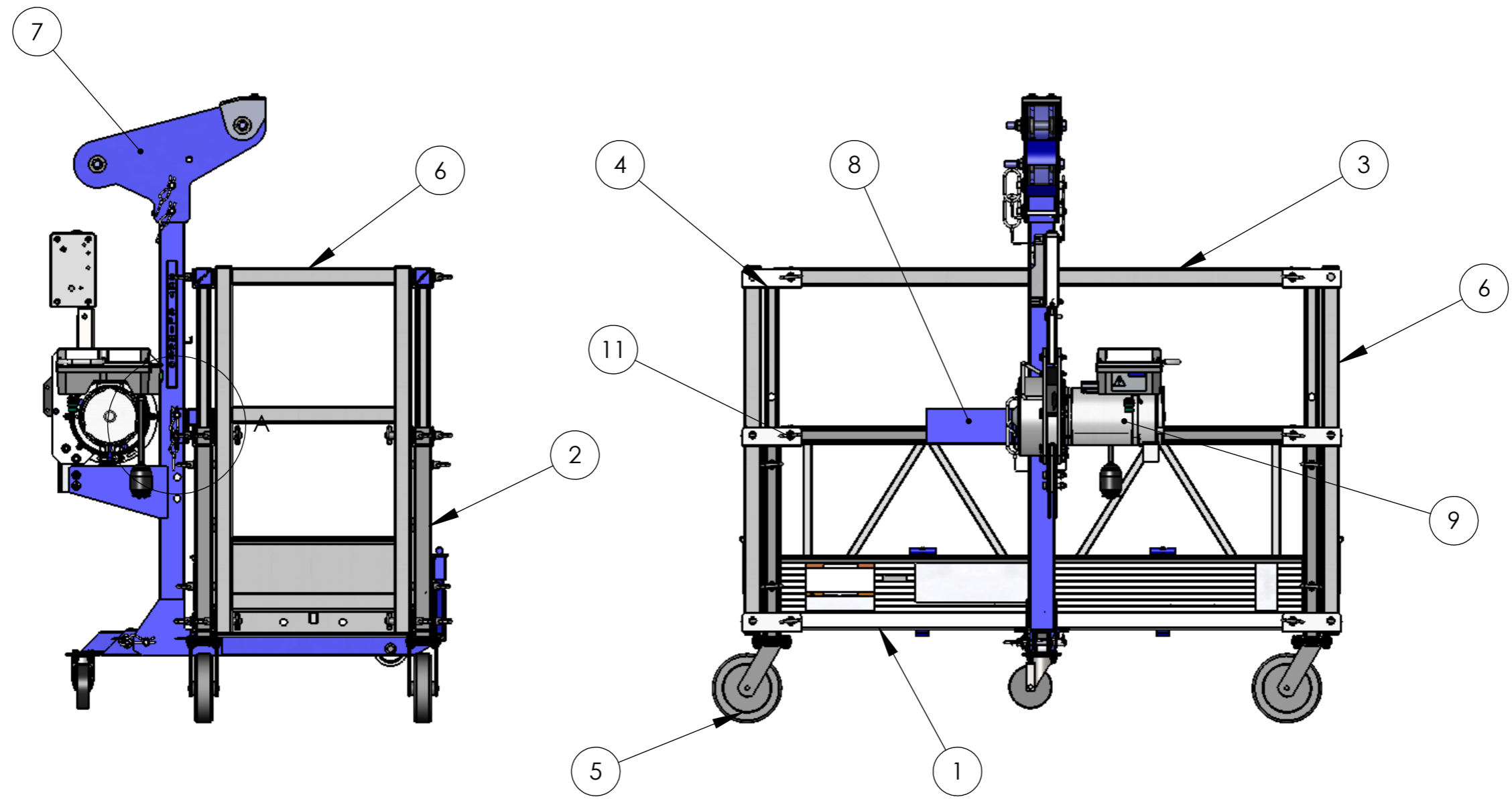


DIMENSIONS SHOWN IN [XX] ARE FOR REFERENCE ONLY.

ITEM NO.	PART NUMBER	DESCRIPTION	STRAIGHT/QTY.
1	360032	SIDE PANEL - 1.5 METER	2
2	360039	CONNECTION FRAME WELDMENT	2
3	360147	TOP RAIL ASSEMBLY - 1.5 METER	2
4	360054	TELESCOPING POST WELDMENT	4
5	360065	CASTER ASSEMBLY	4
6	360140	END GATE	2
7	361030	LO PRO WALK BY STIRRUP, 1 PT	1
8	361054	LOW PRO- 2ND PT ATTACHMENT	1
9	KCE-1000-220-REF	COMPACT 1000	1
10	360041	FLOOR PANEL - 1.5 METER	1
11	360019	LOCK PIN ASSEMBLY	28



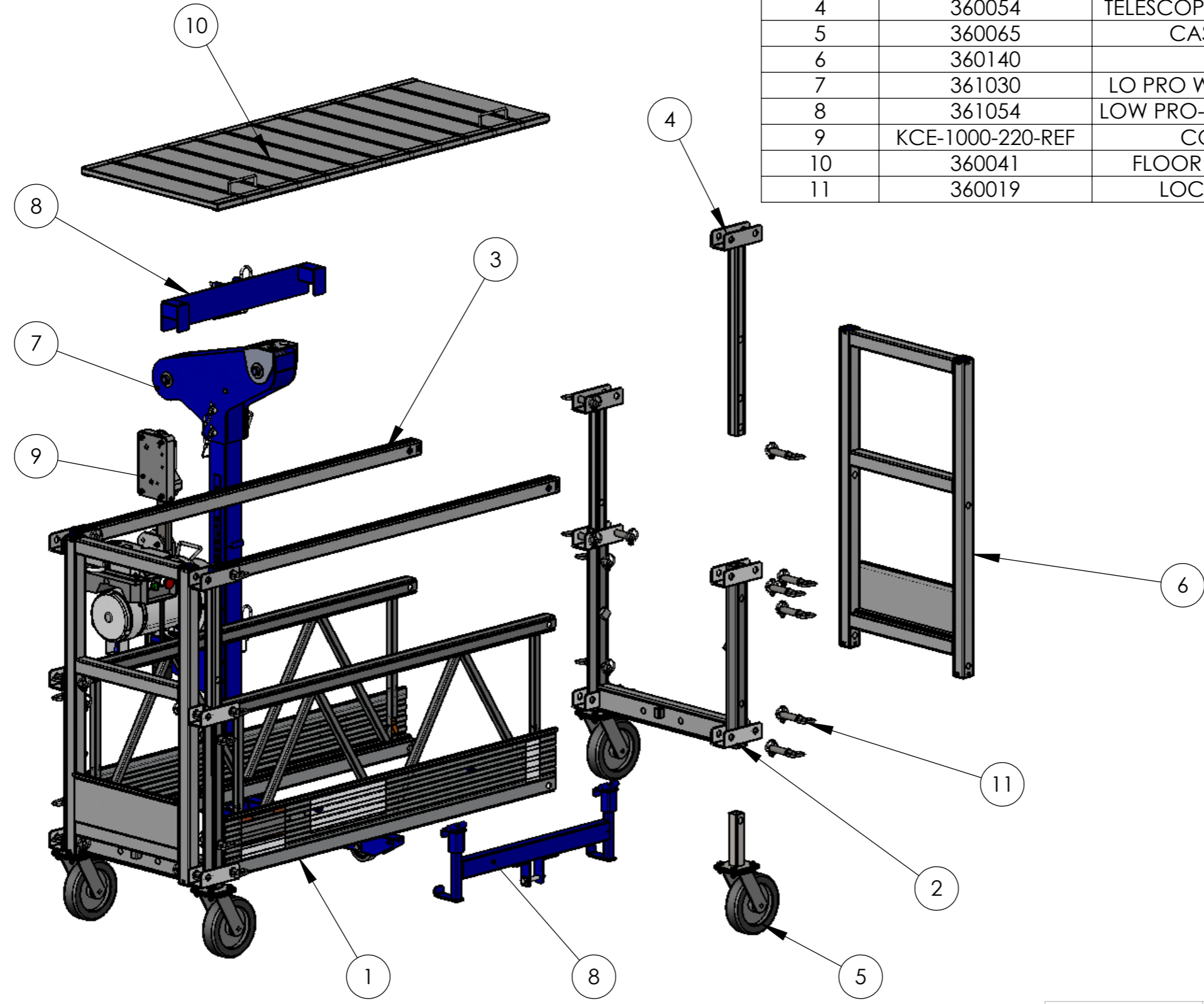
DETAIL A
SCALE 2 : 15



NOTICE
THE INFORMATION CONTAINED IN THIS DRAWING IS THE SOLE PROPERTY OF SKY CLIMBER. ANY REPRODUCTION IN PART OR WHOLE WITHOUT THE WRITTEN PERMISSION OF SKY CLIMBER IS PROHIBITED.

DIMENSIONS SHOWN IN [XX] ARE FOR REFERENCE ONLY.

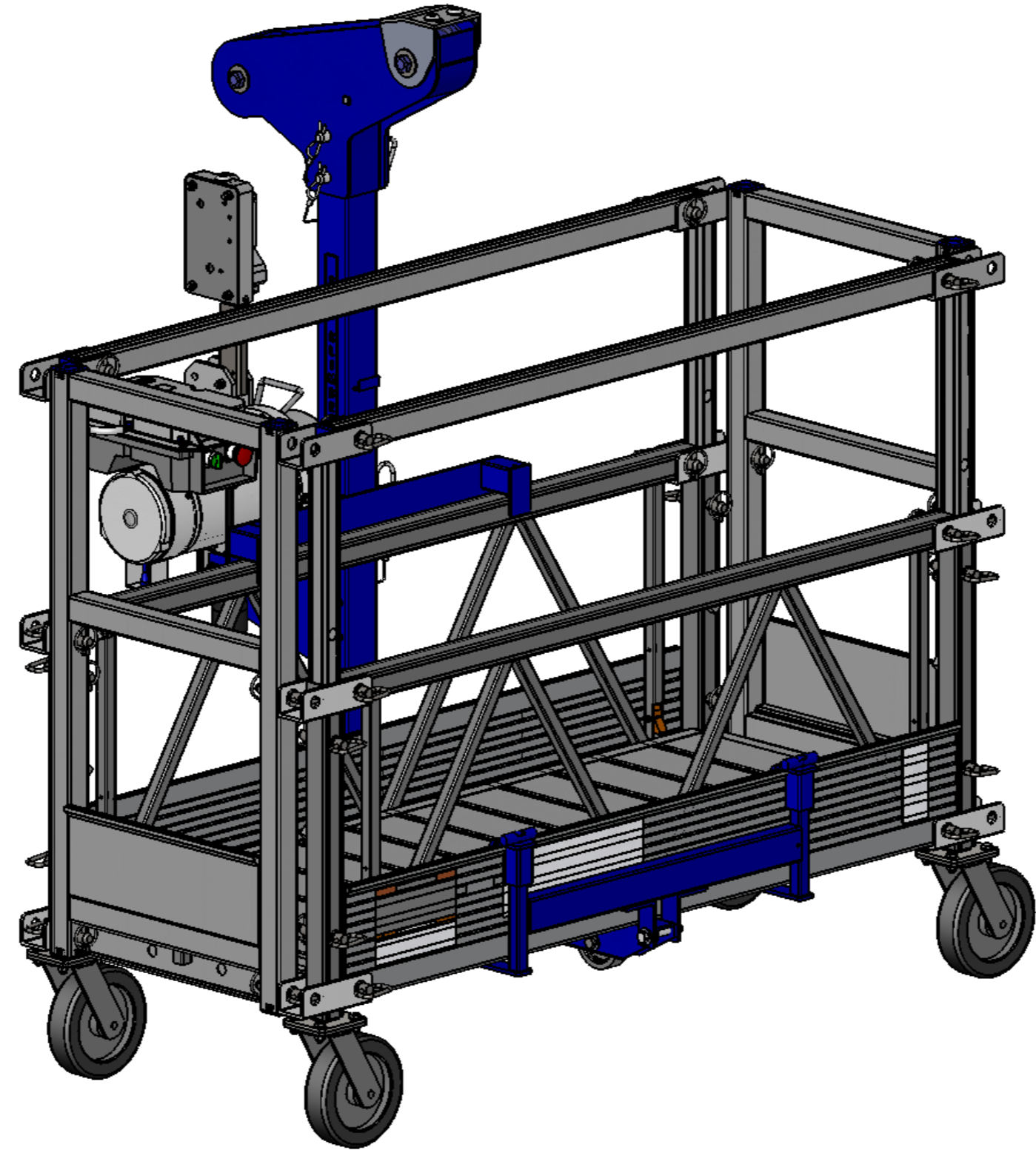
ITEM NO.	PART NUMBER	DESCRIPTION	STRAIGHT/QTY.
1	360032	SIDE PANEL - 1.5 METER	2
2	360039	CONNECTION FRAME WELDMENT	2
3	360147	TOP RAIL ASSEMBLY - 1.5 METER	2
4	360054	TELESCOPING POST WELDMENT	4
5	360065	CASTER ASSEMBLY	4
6	360140	END GATE	2
7	361030	LO PRO WALK BY STIRRUP, 1 PT	1
8	361054	LOW PRO- 2ND PT ATTACHMENT	1
9	KCE-1000-220-REF	COMPACT 1000	1
10	360041	FLOOR PANEL - 1.5 METER	1
11	360019	LOCK PIN ASSEMBLY	28



NOTICE
 THE INFORMATION CONTAINED IN THIS DRAWING IS THE SOLE PROPERTY OF SKY CLIMBER. ANY REPRODUCTION IN PART OR WHOLE WITHOUT THE WRITTEN PERMISSION OF SKY CLIMBER IS PROHIBITED.

CAD GENERATED DRAWING. DO NOT MANUALLY UPDATE.	FIRST ANGLE PROJECTION	SCALE	DWG. NO.	REV.
		1:15	L0511-369000-LMW15	1
		SIZE	DO NOT SCALE DRAWING.	
		B/A3	SHEET 2 OF 3	

DIMENSIONS SHOWN IN [XX] ARE FOR REFERENCE ONLY.



NOTICE

THE INFORMATION CONTAINED IN THIS DRAWING IS THE SOLE PROPERTY OF SKY CLIMBER. ANY REPRODUCTION IN PART OR WHOLE WITHOUT THE WRITTEN PERMISSION OF SKY CLIMBER IS PROHIBITED.

CAD GENERATED DRAWING. DO NOT MANUALLY UPDATE.	FIRST ANGLE PROJECTION	SCALE 1:10	DWG. NO.	REV.
			L0511-369000-LMW15	1
			SIZE B/A3	SHEET 3 OF 3
			DO NOT SCALE DRAWING.	