

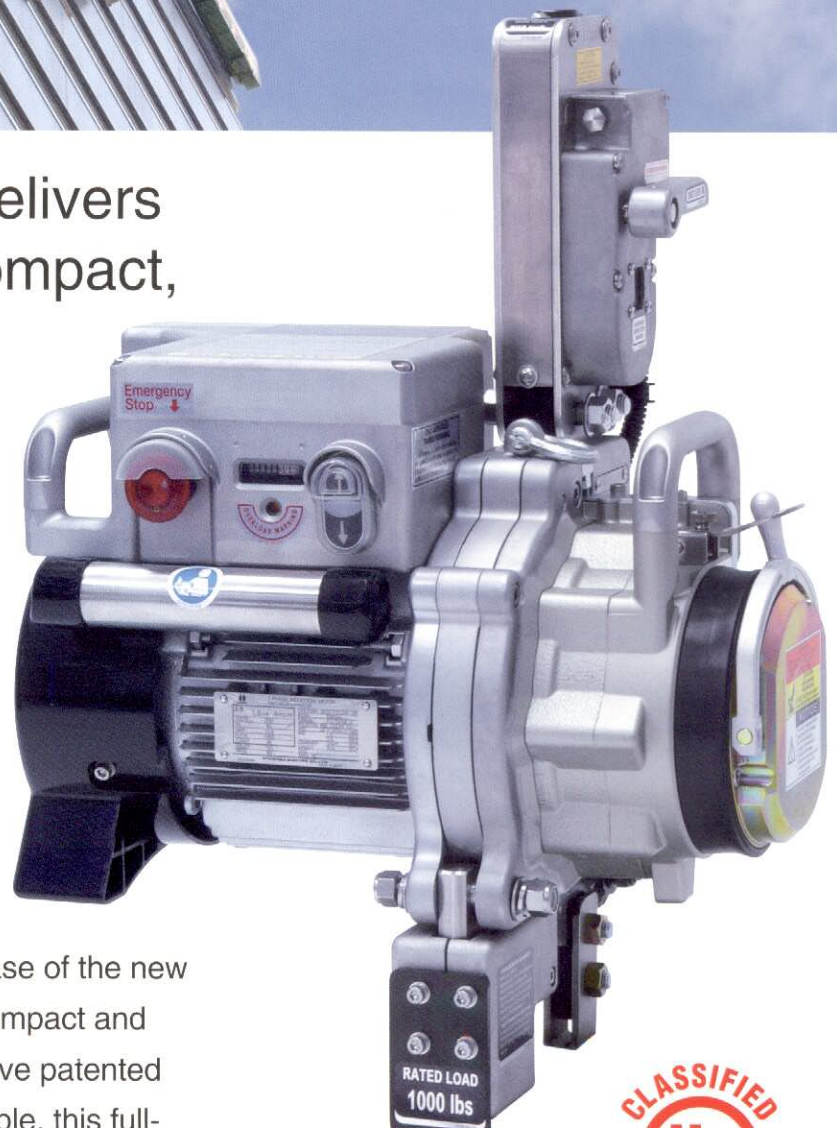
BISOMAC 210

Traction Hoist for Suspended Platform

Advanced Technology Delivers
Maximum Power In A Compact,
Lightweight Design



Suspended Platform with
BISOMAC210 Traction Hoist



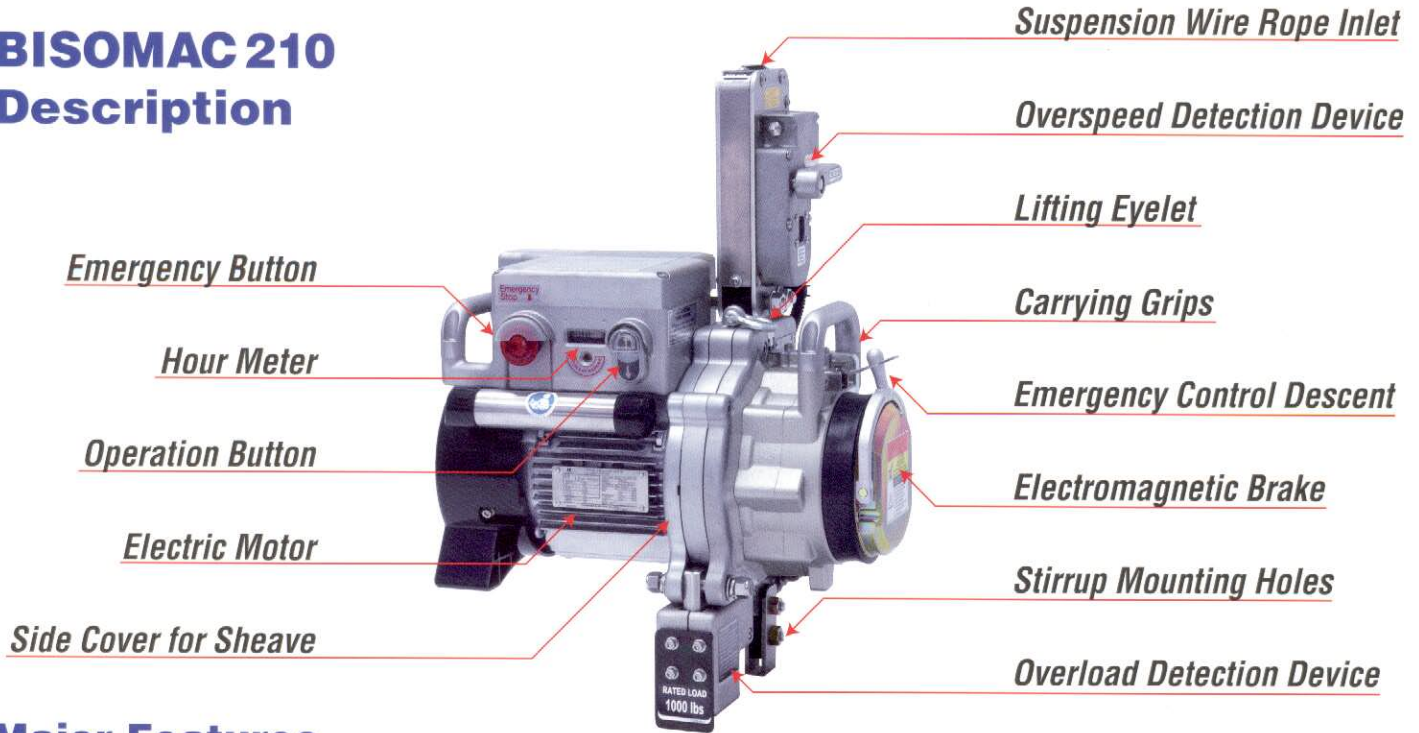
NIHON BISOH is proud to announce the release of the new BISOMAC210 Traction Hoist, a remarkably compact and lightweight Traction Hoist featuring our exclusive patented mechanism. Easy to maintain and highly durable, this full-

CLASSIFIED



NIHON BISOH Proudly Introduces the Traction Hoist for the 21st Century!

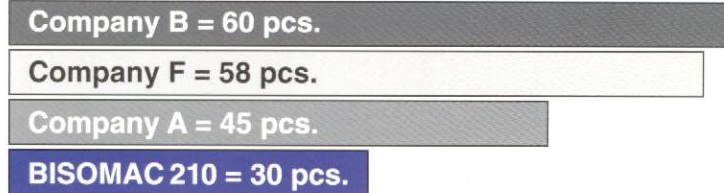
BISOMAC 210 Description



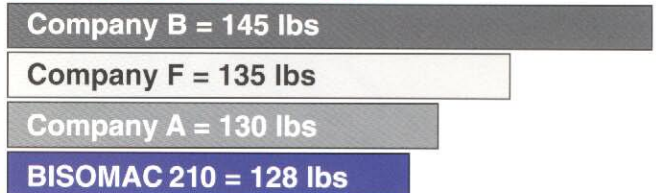
Major Features

- Performance**
 - Strong to Voltage Drops Assuring Smooth, Steady Lifting for Skyscrapers
 - Friendly for Wire Rope
- Maintenance**
 - Minimal Number of Components for Easy Assembly and Disassembly
 - Maintenance Simplified With Easy Side Cover Access
 - Minimal Parts Requiring Inspection or Replacement
- Handling**
 - Well Balanced Two Carrying Grips for Easy Handling
- Safety**
 - Designed to Assure Foolproof Operation and Prevent Malfunctions
 - Safety Devices Can Be Integrated to Meet Various Regulations
 - **Integratable Devices include:**
Overspeed Device, Overload Device, Slack Rope Device, Upper/Ultimate Limit, Rope End Limit

Designed “less components”



Compact “Light Weight”



Specifications

Capacity	Phase	Voltage	Control	Wire Rope	Speed	Dimensions	Weight	UL File No.
1500 lbs	1	208 V/60 Hz	Independent	3/8 in.	35 fpm	24 x 12 x 18 in.	128 lbs	SA9398
1000 lbs	1	208 V/60 Hz	Independent	5/16 in.	35 fpm	24 x 12 x 18 in.	128 lbs	SA9398

NOTE: SPECIFICATIONS MAY CHANGE WITHOUT NOTICE.

