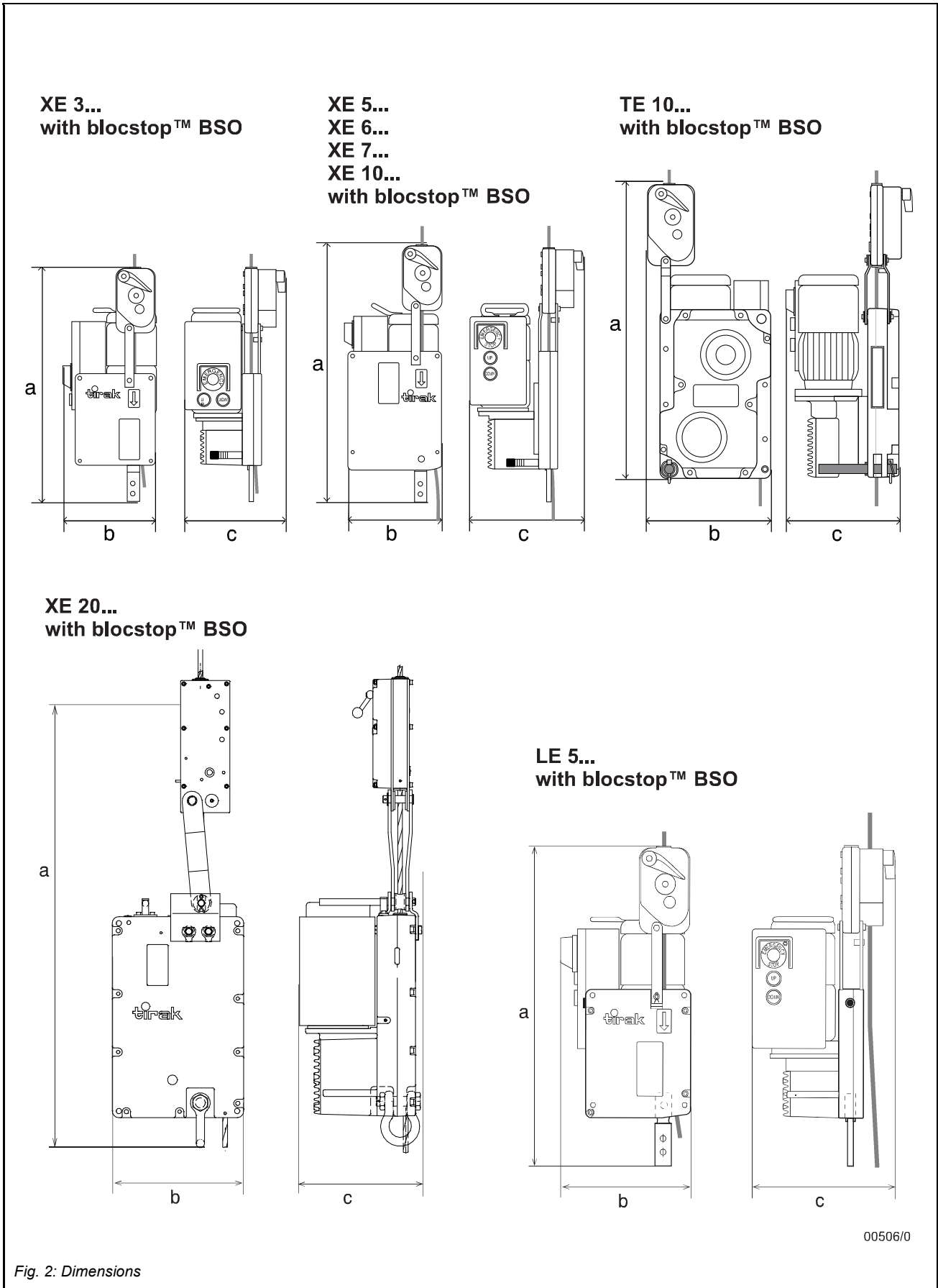


2.9 Technical data



Motor specifications: 1~ 110V (or 220V)/60 Hz

Secondary brake: BSO 500 or BS/BSO 500

| Hoist model | | Rated load | | lifting speed | | weight (with BSO) | | Dimensions over all | | | | | | Wire rope diameter | | Motor | | | |
|-------------|--------|------------|-----|---------------|-------|-------------------|----|---------------------|------|------|-----|-----|-----|--------------------|----|--------------|------|-----------|--|
| USA | Canada | lbs | kg | ft/min | m/min | lbs | kg | in. | | | mm | | | in. | mm | type | kW | A | |
| | | | | | | | | a | b | c | a | b | c | | | | | | |
| XE 301 P | | 700 | 300 | 35 | 11 | 82 | 37 | 28.9 | 11.2 | 12.5 | 735 | 286 | 314 | 5/16 | 8 | UBE80/11-4F | 0.55 | 10.5(5.2) | |
| XE 501 P | | 1000 | 454 | 35 | 11 | 123 | 56 | 31.8 | 12.9 | 15.8 | 808 | 328 | 402 | 5/16 | 8 | UCE90L/10-4F | 1.1 | 19.5(9.5) | |

Secondary brake: BSO 2050 or BSO 2050 S

| | | | | | | | | | | | | | | | | | | |
|-----------|--|------|-----|----|----|----|----|------|------|------|-----|-----|-----|------|---|--------------|------|------|
| LE 501 PA | | 1000 | 454 | 35 | 11 | 84 | 38 | 29.3 | 12.3 | 13.5 | 743 | 313 | 342 | 5/16 | 8 | UCE80L/11-4F | 0.55 | 10.5 |
|-----------|--|------|-----|----|----|----|----|------|------|------|-----|-----|-----|------|---|--------------|------|------|

Motor specifications: 1~ 220V/60 Hz

Secondary brake: BSO 500 or BS/BSO 500

| Hoist model | | Rated load | | lifting speed | | weight (with BSO) | | Dimensions over all | | | | | | Wire rope diameter | | Motor | | | |
|-------------|--------|------------|-----|---------------|-------|-------------------|----|---------------------|------|------|-----|-----|-----|--------------------|----|------------------------------------|-----|-----|--|
| USA | Canada | lbs | kg | ft/min | m/min | lbs | kg | in. | | | mm | | | in. | mm | type | kW | A | |
| | | | | | | | | a | b | c | a | b | c | | | | | | |
| XE 501 PA | | 1000 | 454 | 20 | 6 | 121 | 55 | 31.8 | 12.5 | 14.1 | 808 | 318 | 357 | 5/16 | 8 | UCE90L/10-4F | 1.1 | 9.5 | |
| LE 501 P | | 1000 | 454 | 35 | 11 | 84 | 38 | 29.3 | 12.3 | 13.5 | 743 | 313 | 342 | 5/16 | 8 | UCE80/12-4F | 0.9 | 6.8 | |
| XE 601 P | | 1200 | 544 | 35 | 11 | 123 | 56 | 31.8 | 12.1 | 14.9 | 808 | 307 | 379 | 5/16 | 8 | UCE90L/11-4F or UCE100L/9-4F | 1.5 | 12 | |
| XE 701 P | | 1500 | 680 | 35 | 11 | 123 | 56 | 31.8 | 12.1 | 14.9 | 808 | 307 | 379 | 5/16 | 8 | UCE90L/11-4F or UCE100L/9-4F | 1.5 | 12 | |

Secondary brake: BSO 520 or 1020 or BS/BSO 520 or 1020

| | | | | | | | | | | | | | | | | | | |
|----------|--|------|-----|----|----|-----|----|------|------|------|-----|-----|-----|-----|---|--------------|-----|----|
| XE 621 P | | 1200 | 544 | 35 | 11 | 126 | 57 | 33.3 | 13.2 | 14.9 | 345 | 336 | 379 | 3/8 | 9 | UCE100L/9-4F | 1.5 | 12 |
| XE 721 P | | 1500 | 680 | 35 | 11 | 126 | 57 | 33.3 | 13.2 | 14.9 | 345 | 336 | 379 | 3/8 | 9 | UCE100L/9-4F | 1.5 | 12 |

Motor specifications: 3~ 208V/60 Hz

Secondary brake: BSO 500 or BS/BSO 500

| Hoist model | | Rated load | | lifting speed | | weight (with BSO) | | Dimensions over all | | | | | | Wire rope diameter | | Motor | | | |
|-------------|----------|------------|-----|---------------|-------|-------------------|----|---------------------|------|------|-----|-----|-----|--------------------|----|-----------|-----|-----|--|
| USA | Canada | lbs | kg | ft/min | m/min | lbs | kg | in. | | | mm | | | in. | mm | type | kW | A | |
| | | | | | | | | a | b | c | a | b | c | | | | | | |
| | LE 502 P | 1000 | 454 | 70 | 22 | 73 | 33 | 29.3 | 12.3 | 13.5 | 743 | 313 | 342 | 5/16 | 8 | UC80/9-2F | 1.8 | 4.8 | |

| Motor specifications: 3~ 220V/60 Hz | | | | | | | | | | | | | | | | | | | |
|---|-----------|------------|------|---------------|-------|-------------------|----|---------------------|------|------|-----|-----|-----|--------------------|----|--------------|-----|-----|--|
| Secondary brake: BSO 500 or BS/BSO 500 | | | | | | | | | | | | | | | | | | | |
| Hoist model | | Rated load | | lifting speed | | weight (with BSO) | | Dimensions over all | | | | | | Wire rope diameter | | Motor | | | |
| USA | Canada | lbs | kg | ft/min | m/min | lbs | kg | in. | | | mm | | | in. | mm | type | kW | A | |
| | | | | | | | | a | b | c | a | b | c | | | | | | |
| XE 500 P | | 1000 | 454 | 35 | 11 | 106 | 48 | 31.8 | 12.1 | 14.1 | 808 | 308 | 357 | 5/16 | 8 | UC80/8-4F | 1.1 | 4.4 | |
| XE 600 P | | 1200 | 544 | 35 | 11 | 112 | 51 | 31.8 | 12.5 | 14.1 | 808 | 318 | 357 | 5/16 | 8 | UC90S/7,5-4F | 1.5 | 6.1 | |
| XE 700 P | | 1500 | 680 | 35 | 11 | 112 | 51 | 31.8 | 12.5 | 14.1 | 808 | 318 | 357 | 5/16 | 8 | UC90S/7,5-4F | 1.5 | 6.1 | |
| LE 500 P | | 1000 | 454 | 35 | 11 | 73 | 33 | 29.3 | 12.3 | 13.5 | 743 | 313 | 342 | 5/16 | 8 | UC80/8-4F | 0.9 | 4.8 | |
| Secondary brake: BSO 520 or 1020 or BS/BSO 520 or 1020 | | | | | | | | | | | | | | | | | | | |
| XE 620 P | | 1200 | 544 | 35 | 11 | 115 | 52 | 33.3 | 12.5 | 14.1 | 845 | 318 | 357 | 3/8 | 9 | UC90S/7,5-4F | 1.5 | 6.1 | |
| XE 720 P | | 1500 | 680 | 35 | 11 | 115 | 52 | 33.3 | 12.5 | 14.1 | 845 | 318 | 357 | 3/8 | 9 | UC90S/7,5-4F | 1.5 | 6.1 | |
| Secondary brake: BSO 1020 or BS/BSO 1020 | | | | | | | | | | | | | | | | | | | |
| XE 1020 P | | 2400 | 1088 | 35 | 11 | 120 | 54 | 33.3 | 12.5 | 14.1 | 845 | 318 | 357 | 3/8 | 9 | UC90L/11-4F | 2.4 | 9.6 | |
| TE 1020 P | | 2000 | 900 | 35 | 11 | 178 | 81 | 34.6 | 14.8 | 14.6 | 879 | 375 | 371 | 3/8 | 9 | UC90L/10-4F | 2.2 | 9.5 | |
| Secondary brake: BSO 1030 or BS/BSO 1030 | | | | | | | | | | | | | | | | | | | |
| | XE 1030 P | 1926 | 874 | 35 | 11 | 120 | 54 | 33.3 | 12.5 | 14.1 | 845 | 318 | 357 | 13/32 | 10 | UC90L/11-4F | 2.4 | 7.5 | |
| XE 1030 P | | 2200 | 1000 | 35 | 11 | 120 | 54 | 33.3 | 12.5 | 14.1 | 845 | 318 | 357 | 13/32 | 10 | UC90L/11-4F | 2.4 | 7.5 | |
| Secondary brake: BSO 2050 or BSO 2050 S | | | | | | | | | | | | | | | | | | | |
| XE 2050 P | | 4400 | 1996 | 35 | 11 | 185 | 84 | 33.3 | 12.5 | 14.1 | 845 | 318 | 357 | 9/16 | 14 | | 3.1 | 18 | |
| | XE 2052 P | 4400 | 1996 | 35 | 11 | 185 | 84 | 33.3 | 12.5 | 14.1 | 845 | 318 | 357 | 9/16 | 14 | | | 22 | |
| Motor specifications: 3~ 230V/60 Hz | | | | | | | | | | | | | | | | | | | |
| Secondary brake: BSO 500 or BS/BSO 500 | | | | | | | | | | | | | | | | | | | |
| Hoist model | | Rated load | | lifting speed | | weight (with BSO) | | Dimensions over all | | | | | | Wire rope diameter | | Motor | | | |
| USA | Canada | lbs | kg | ft/min | m/min | lbs | kg | in. | | | mm | | | in. | mm | type | kW | A | |
| | | | | | | | | a | b | c | a | b | c | | | | | | |
| LE 500 P | | 1000 | 454 | 35 | 11 | 73 | 33 | 29.3 | 12.3 | 13.5 | 743 | 313 | 342 | 5/16 | 8 | UC80/8-4F | 0.9 | 4.6 | |
| | LE 502 P | 1000 | 454 | 70 | 22 | 73 | 33 | 29.3 | 12.3 | 13.5 | 743 | 313 | 342 | 5/16 | 8 | UC80/9-2F | 1.8 | 7 | |