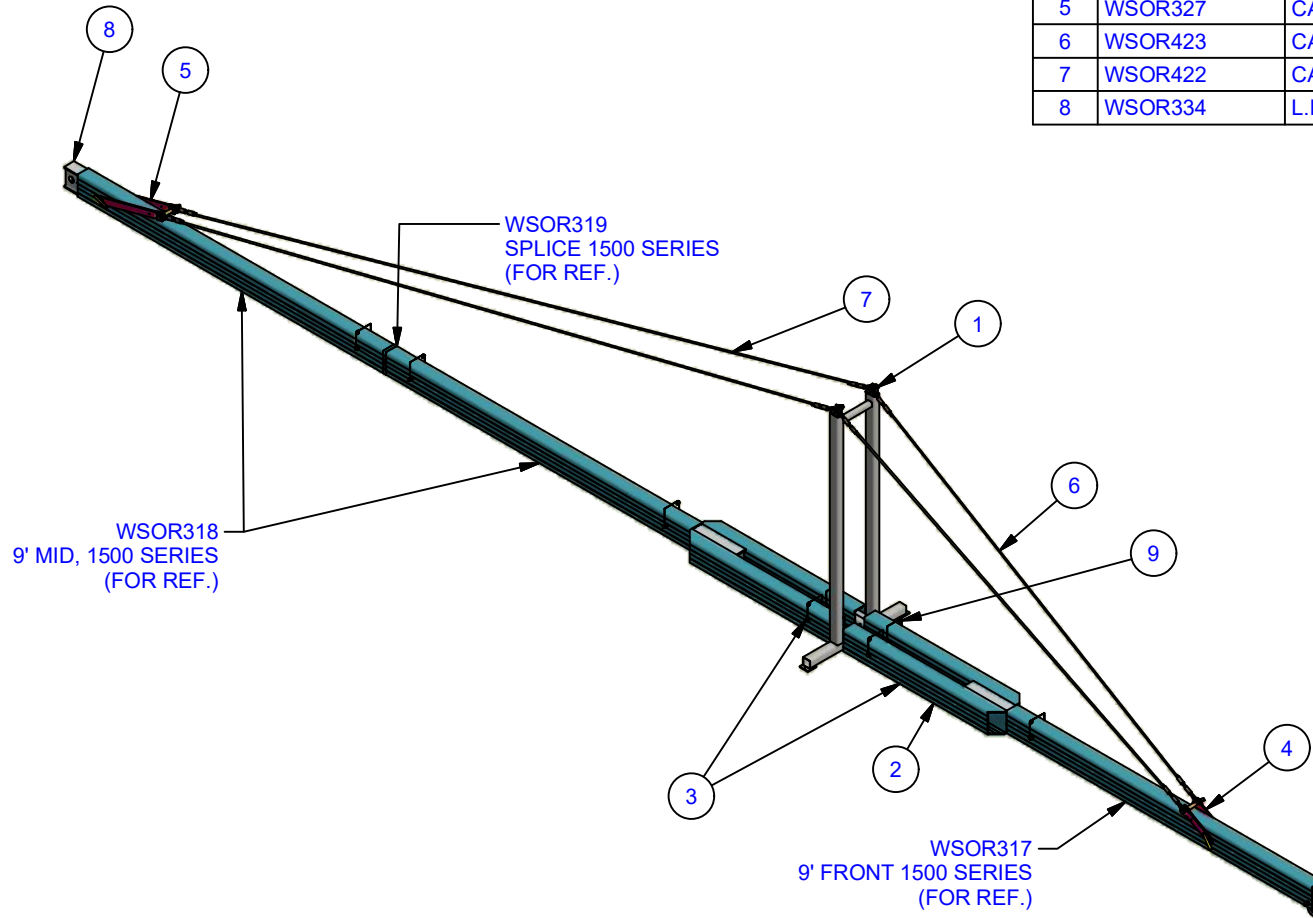


COUNTERWEIGHT REQUIREMENTS		
MAX. LOAD	REACH	COUNTERWEIGHT
1,500 LBS	13.5 FT	3,470 LBS

**NOTES:**  
 ROOF, SLAB, PARAPET OR OTHER SUPPORTING SURFACES MUST BE VERIFIED AS ADEQUATE TO SUPPORT LOADING BY OTHERS.

REV. AND BOM SEE SHEET 2	<b>WINSAFE</b> <small>A DIVISION OF ASIF ACCESS GROUP INC.</small>	
 UNLESS OTHERWISE SPECIFIED	WSOR420 1500 SERIES 13.5 FT CABLE TRUSS LAYOUT W/ 23 FT. BACK	
<b>DO NOT SCALE</b>	DRAWN: NN	DATE: 11/1/2016
MANUFACTURING TOLERANCES UNLESS OTHERWISE SPECIFIED	This drawing is the property of Winsafe. It is loaned with the express agreement that the drawing and the information contained therein are property of Winsafe, and will not be used in whole or in part to assist in making or to furnish any information for the making of apparatus or parts thereof except upon written permission of Winsafe.	
Dimensions are in Inches Tolerance for Dimensions to be ±0.031 in Angles ±1°	CHECK: RV	APP: ST
	DRAWING NO.: SK110116	REV. Aa
	SHEET 1 OF 2	

Parts List			
ITEM	PART NUMBER	DESCRIPTION	QTY
1	WSOR419	CABLE TRUSS SUPPORT 13.5 FT 1500 SERIES	1
2	WSOR421	13.5 FT CT INNER SECTION 1500 SERIES	2
3	HP1-SL-340-434	LOCK PIN 3/4" DIA X 4 3/4" LG	4
4	WSOR321	CABLE TRUSS STRAP-10" ASSY1500 SERIES	1
5	WSOR327	CABLE TRUSS STRAP ASSY1500 SERIES	1
6	WSOR423	CABLE TRUSS WIRE ROPE FRONT	2
7	WSOR422	CABLE TRUSS WIRE ROPE REAR	2
8	WSOR334	L.H BAR CTWT RECEIVER	1



REV. AND BOM SEE SHEET 2	<b>WINSAFE</b> <small>A DIVISION OF ASIF ACCESS GROUP INC.</small>		
 UNLESS OTHERWISE SPECIFIED	WSOR420 1500 SERIES CABLE TRUSS LAYOUT W/ 23 FT. BACK		
<b>DO NOT SCALE</b>	<b>DRAWN:</b> NN	<b>DATE:</b> 1/25/2016	<b>SCALE:</b>
<small>MANUFACTURING TOLERANCES UNLESS OTHERWISE SPECIFIED</small>	This drawing is the property of Winsafe. It is loaned with the express agreement that the drawing and the information contained therein are property of Winsafe, and will not be used in whole or in part to assist in making or to furnish any information for the making of apparatus or parts thereof except upon written permission of Winsafe.		<b>CHECK:</b> RV <b>APP:</b> ST
<small>Dimensions are in Inches Tolerance for Dimensions to be ±0.031 in Angles ±1°</small>	<b>DRAWING NO.:</b> SK110116	<b>REV.</b> Aa	
	SHEET 2 OF 2		