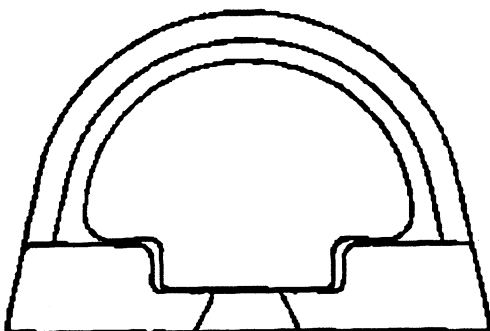


V4230
 Formerly LIN-3730



V4232

Very convenient and easy to install, the anchorage D-rings can be fixed in a variety of positions and are specially designed to avoid roll-out.

⚠ WARNING Installation must be approved by a professional engineer.

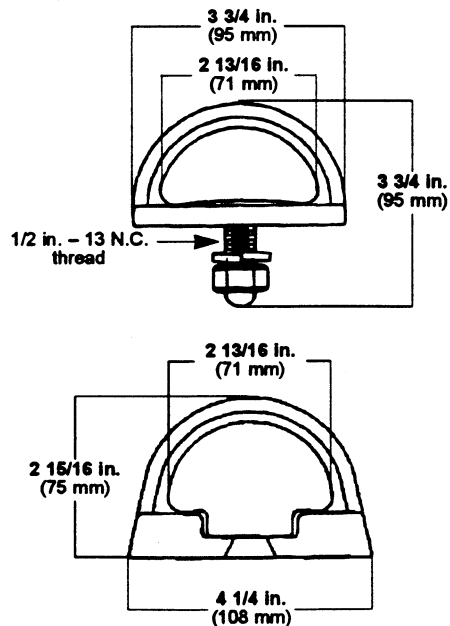
Applicable standards:

- Meet ANSI, OSHA and CSA anchorage requirements.

Available models:

- V4230 Anchorage D-ring with 1/2 in. – 13 N.C. thread bolt
- V4232 Anchorage D-ring with 1/2 in. clearance hole
- V4238 Anchorage D-ring with 5/8 in. clearance hole

Dimensions:



Unit specifications:

	V4230	V4232	V4238
Construction	Drop-forged steel, zinc plated		
Proof load	100 % at 3,600 lbs. (16 kN)		
Tensile strength	5,000 lbs. (22 kN)		
Weight	0.69 lbs.	1.0 lbs.	1.0 lbs.
Recommended bolts	n/a	minimum grade 8 quality	minimum grade 8 quality
Recommended torque values	65 to 75 ft./lb.	65 to 75 ft./lb.	145 to 155 ft./lb.